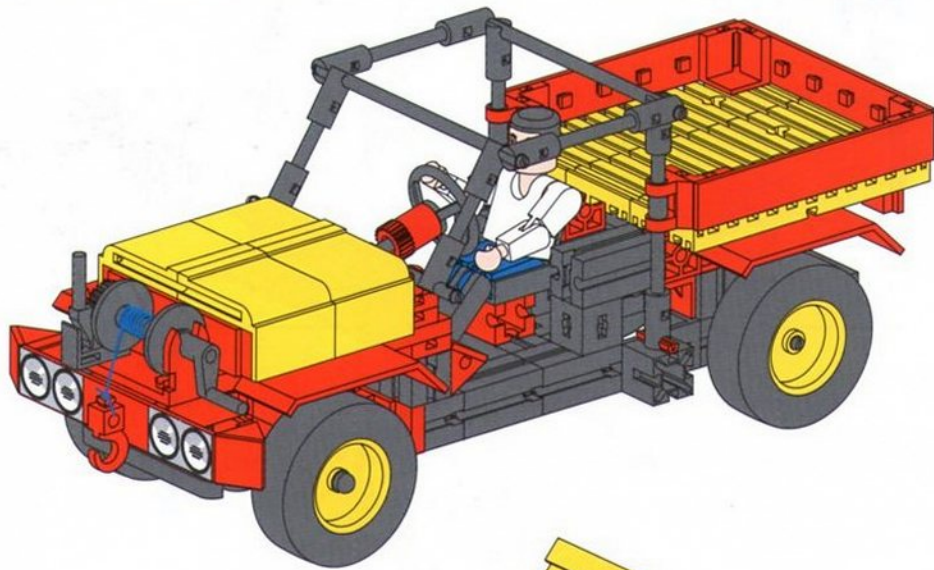


CARS & TRUCKS



Einzelteilübersicht / Spare parts list / Liste des pièces détachées /
Onderdelenoverzicht / Lista da piezas / Lista dei pezzi

2

Montagen / Mountings / Montages / Montage's / Montajes / Indicazione di montaggio

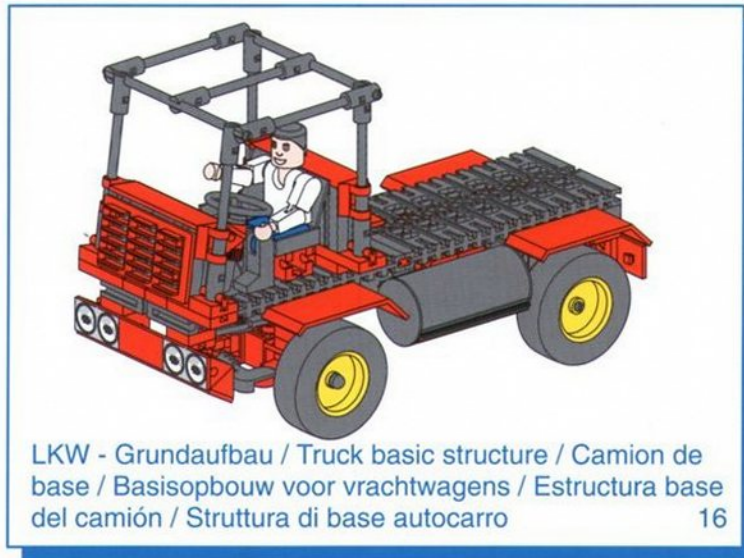
3



Motorisierung und Fernsteuerung / Motorization and remote control / Motorisation et commande à distance /
Motorisering en afstandsbesturing / Motorización y mando a distancia / Motorizzazione et telecomando

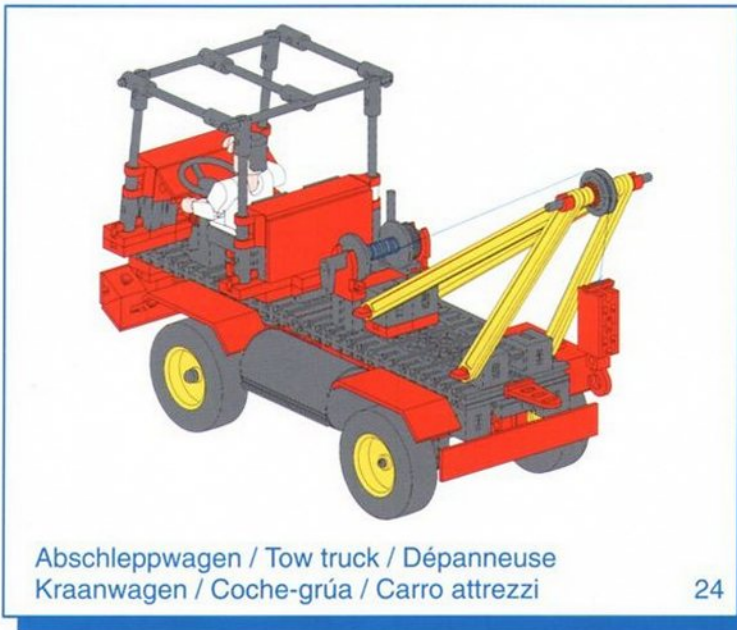
9





LKW - Grundaufbau / Truck basic structure / Camion de base / Basisopbouw voor vrachtwagens / Estructura base del camión / Struttura di base autocarro

Motorisierung und Fernsteuerung / Motorization and remote control / Motorisation et commande à distance / Motorisering en afstandsbesturing / Motorización y mando a distancia / Motorizzazione et telecomando



Abschleppwagen / Tow truck / Dépanneuse
Kraanwagen / Coche-grúa / Carro attrezzi



LKW mit Ladekran / Truck with lifting crane / Camion avec
grue de chargement / Vrachtwagen met laad- en loskraan /
Camión con grúa de carga / Autocarro con gru









































Container Truck



Kipper / Kipper truck / Benne basculante /
Kiepwagen / Camión volquete /
Autocarro con cassone ribaltabile













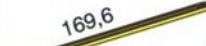






Einzelteilübersicht
Spare parts list
Liste des pièces détachées

	31010 8x
	31060 10x
	31061 6x
	31081 1x
	31426 2x
	31436 6x
	31597 2x
	31671 2x
	31674 4x
	31766 2x
	31843 2x
	31848 4x
	31888 2x
	31891 2x
	31892 2x
	31894 1x
	31913 2x
	31915 1x
	31916 1x

	31918 2x
	31981 9x
	31982 21x
	31983 2x
	31997 1x
	31998 1x
	31999 1x
	32064 7x
	32071 4x
	32330 2x
	32627 4x
	32850 2x
	32852 1x
	32856 2x
	32858 8x
	32861 4x
	32869 1x
	32870 3x
	32879 10x

Onderdelenoverzicht
Lista da piezas
Lista dei pezzi

	32881 12x
	32882 1x
	32913 4x
	35049 12x
	35050 4x
	35061 2x
	35062 1x
	35063 3x
	35064 3x
	35065 7x
	35067 1x
	35087 2x
	35088 1x
	35129 2x
	35414 4x
	35797 1x
	35806 1x
	35945 1x

	35971 2x
	35972 1x
	35973 1x
	35977 1x
	35980 2x
	35998 2x
	36227 20x
	36322 2x
	36323 12x
	36324 4x
	36334 6x
	36335 4x
	36336 4x
	36702 2x
	36703 4x
	36819 5x
	36912 2x
	36913 2x
	36914 1x

Einzelteilübersicht
Spare parts list
Liste des pièces détachées

	36920 2x
	36921 2x
	36922 7x
	36950 2x
	37033 1x
	37237 28x
	37238 10x

	37468 7x
	37636 2x
	37679 2x
	38225 1x
	38240 10x
	38241 4x
	38245 4x

Onderdelenoverzicht
Lista da piezas
Lista dei pezzi

	38246 4x
	38249 1x
	38259 2x
	38260 2x
	38277 1x
	38413 3x
	38416 1x

	38423 14x
	38428 4x
	38464 5x
	38472 1x
	38543 2x

Montagen
Mountings
Montages

Montage's
Montajes
Indicazione di montaggio

1

2

3

1

2

1

2

1

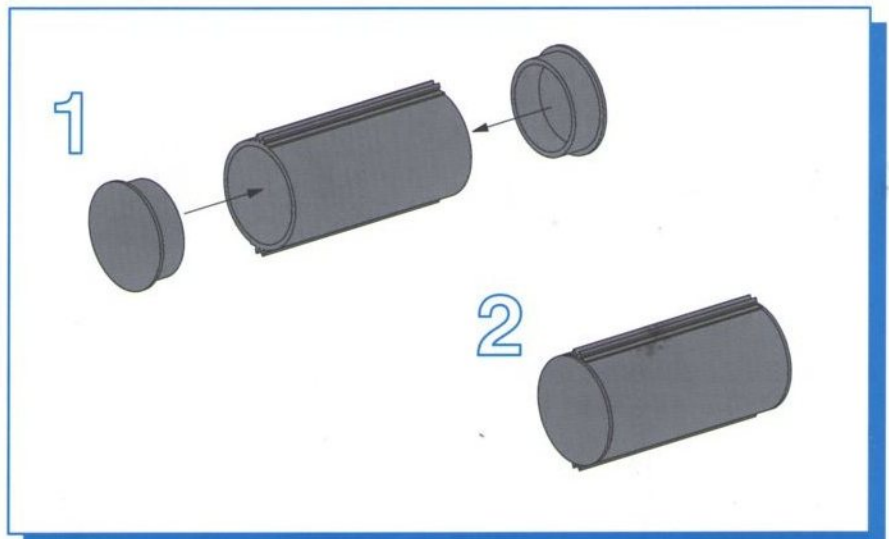
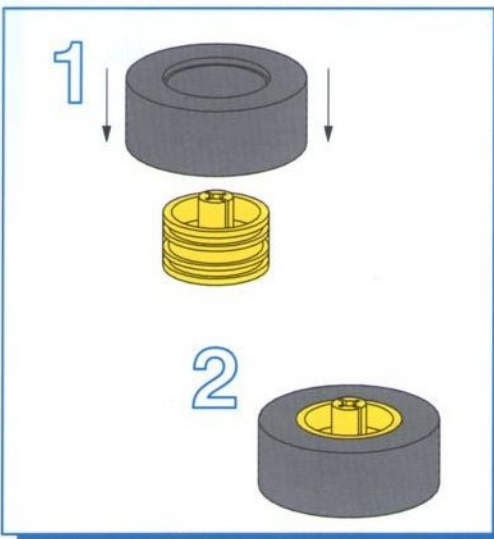
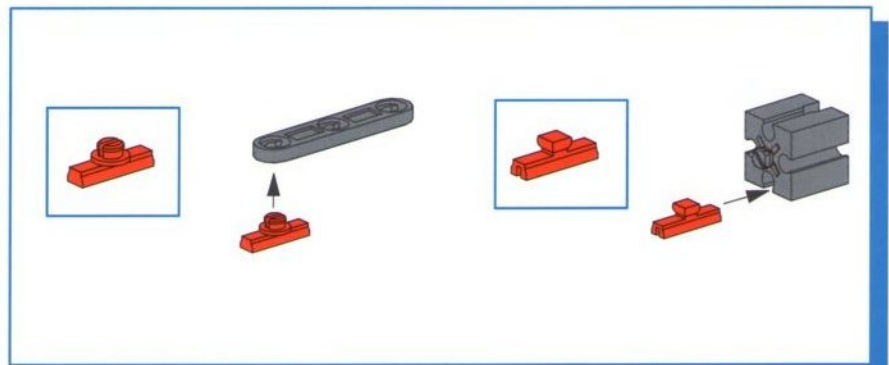
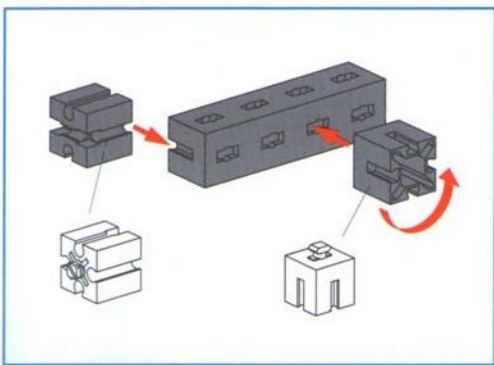
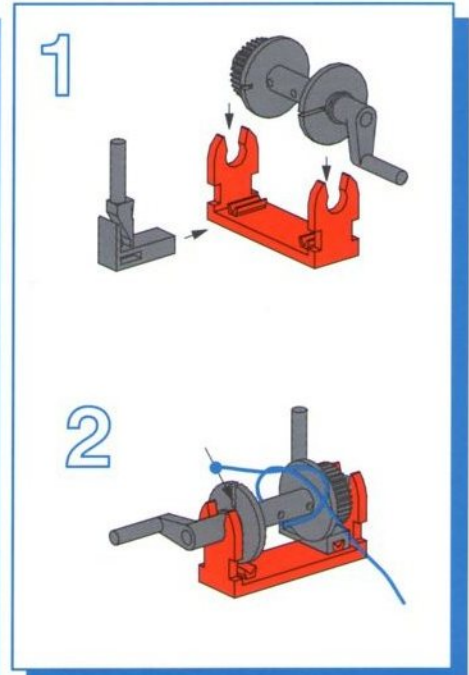
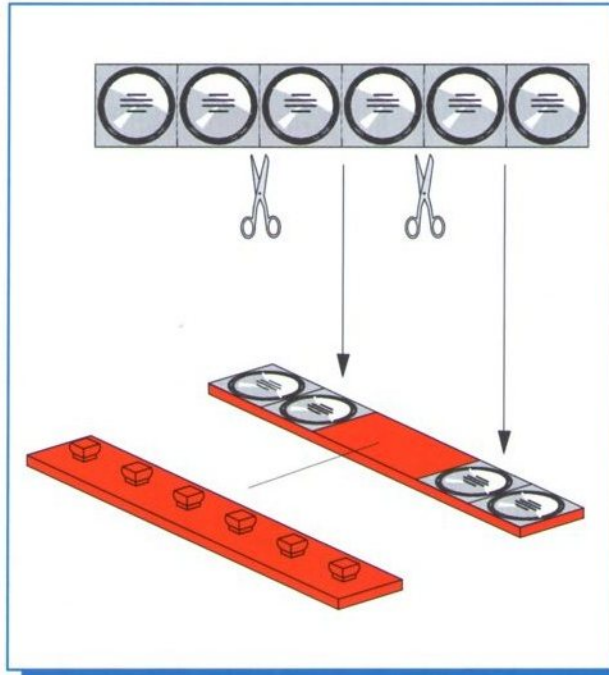
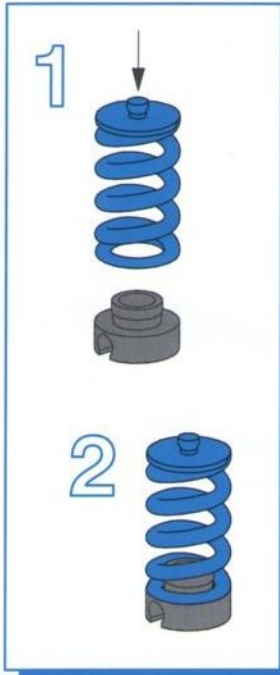
2

1

2

Montagen
Mountings
Montages

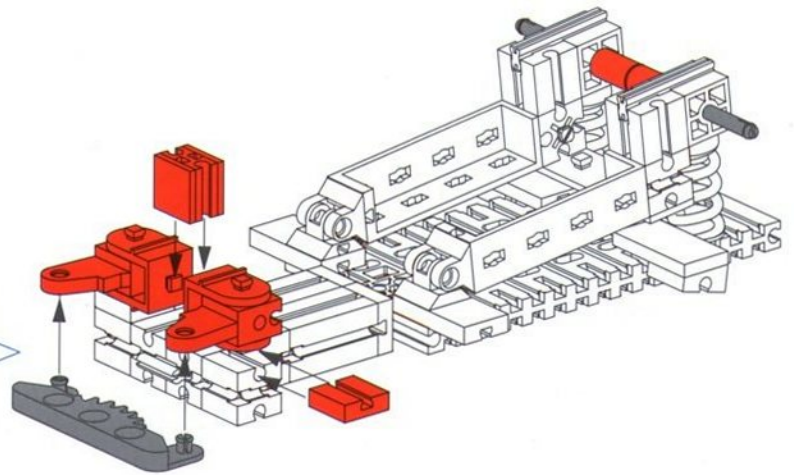
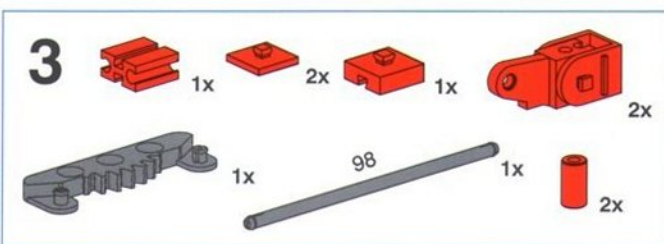
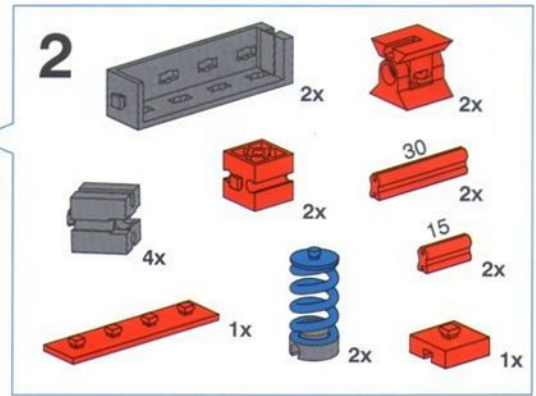
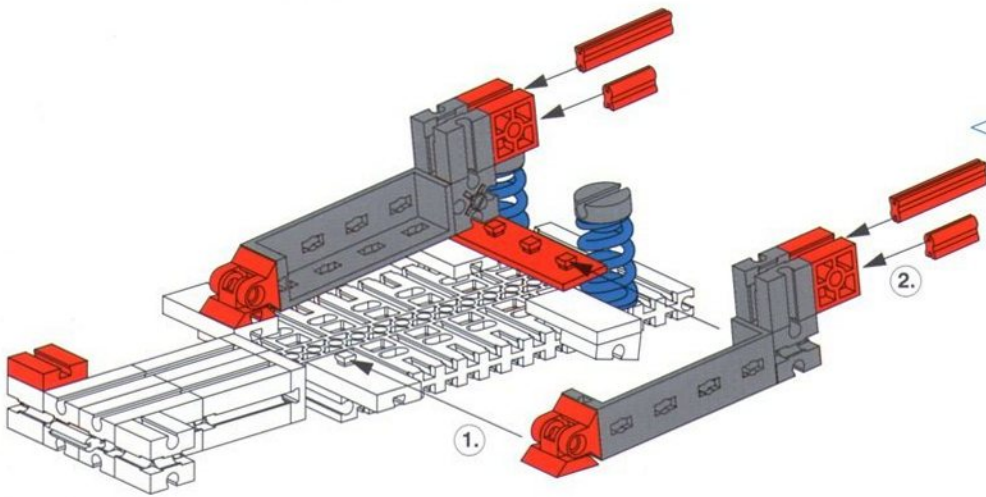
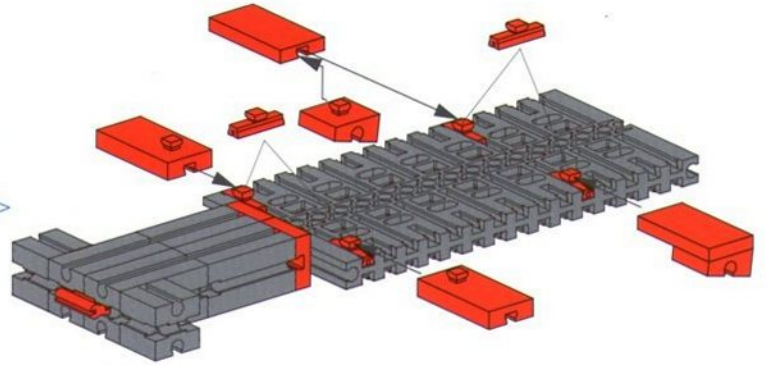
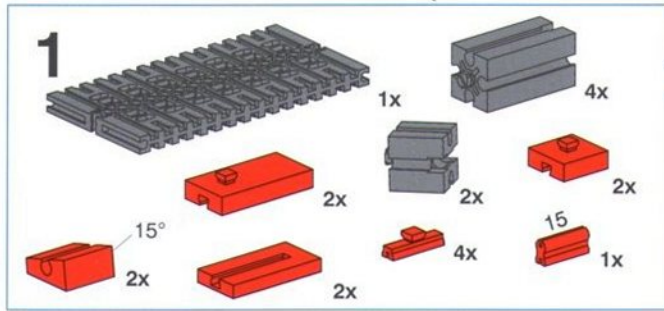
Montage's
Montajes
Indicazione di montaggio

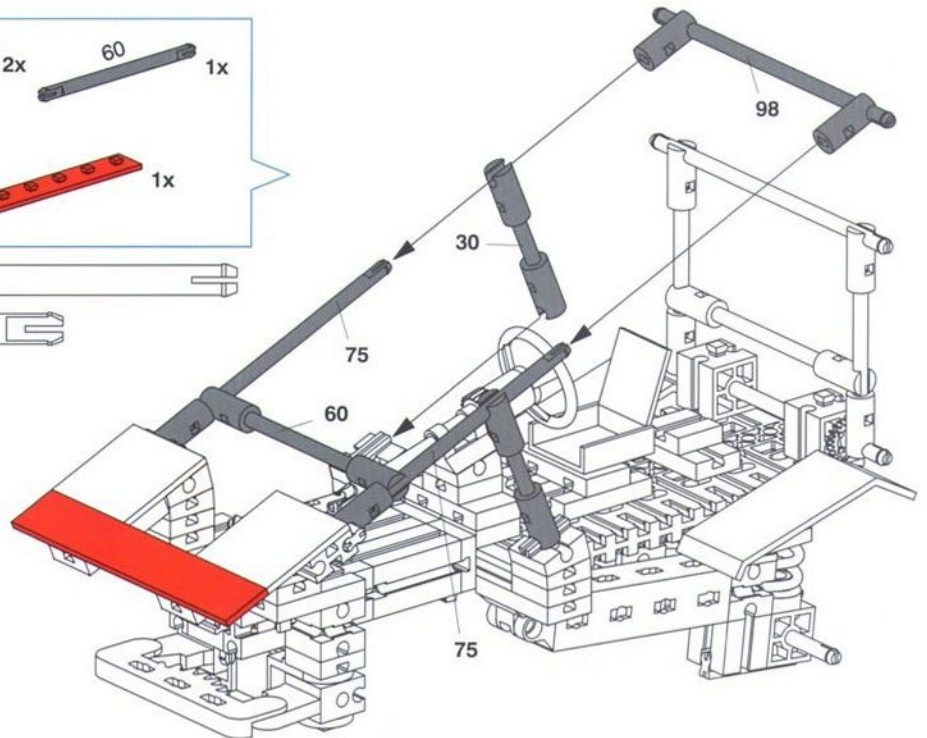
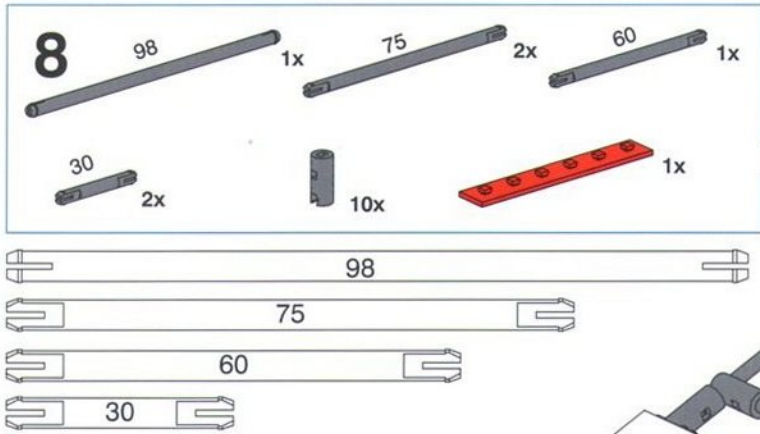
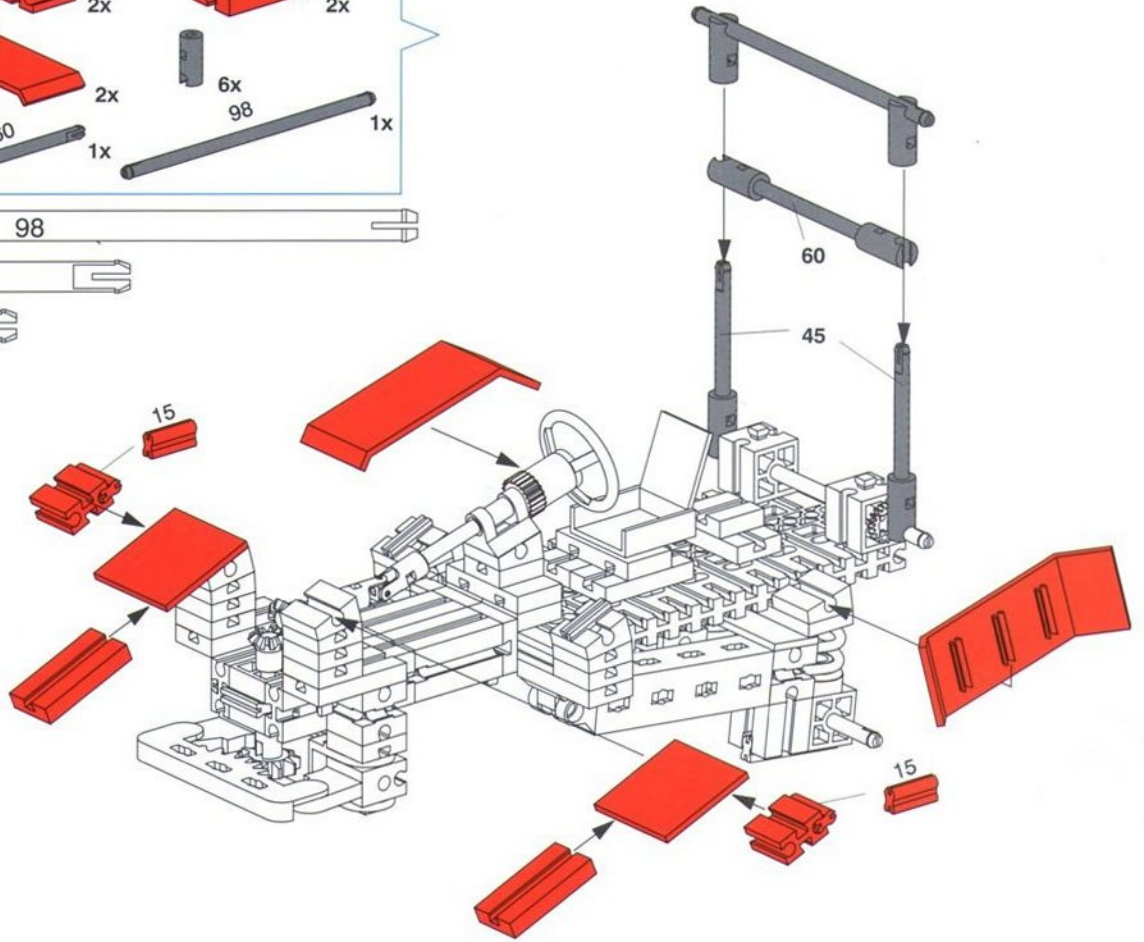
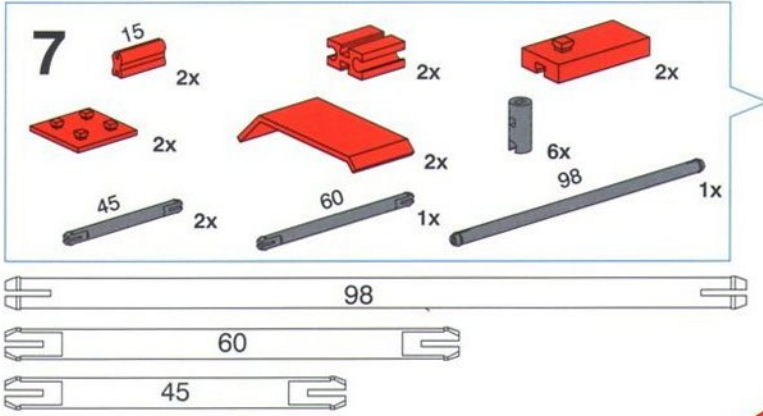


- ❑ Alle Einzelteile, insbesondere bewegliche Teile sind falls notwendig zu warten und zu reinigen.
- ❑ All components, especially moving parts, should be maintained and cleaned as necessary.
- ❑ Toutes les pièces détachées et en particulier les pièces mobiles, sont, si nécessaire, à entretenir et à nettoyer.

- ❑ Alle onderdelen, vooral de bewegende delen, kunnen, indien noodzakelijk, onderhouden en gereinigd worden.
- ❑ Es necesario limpiar y mantener en buen estado todas las diferentes piezas – especialmente las piezas móviles.
- ❑ Provvedere all'occorrenza alla manutenzione e alla pulizia di tutti i particolari, specialmente le parti mobili.

Racer

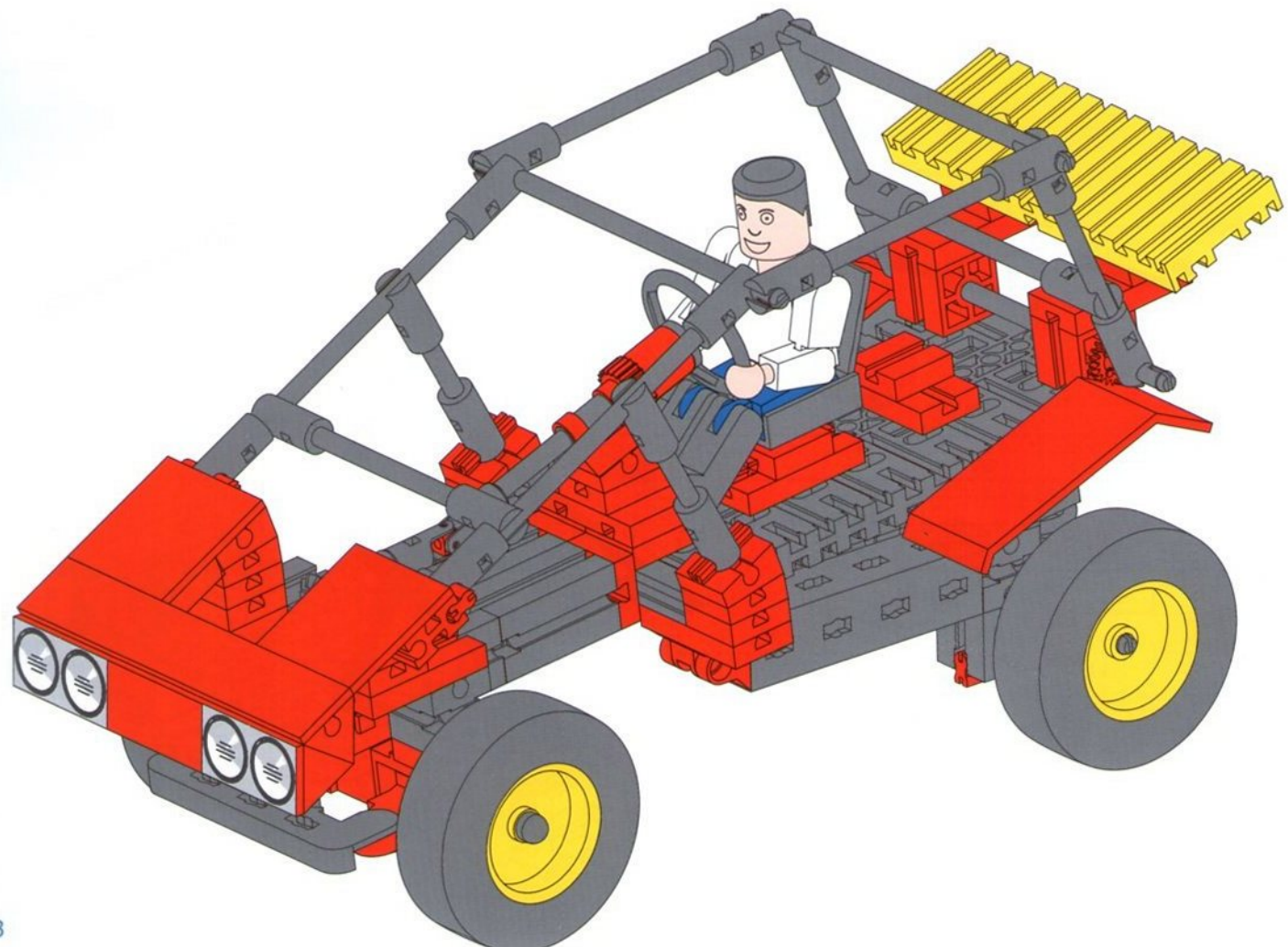
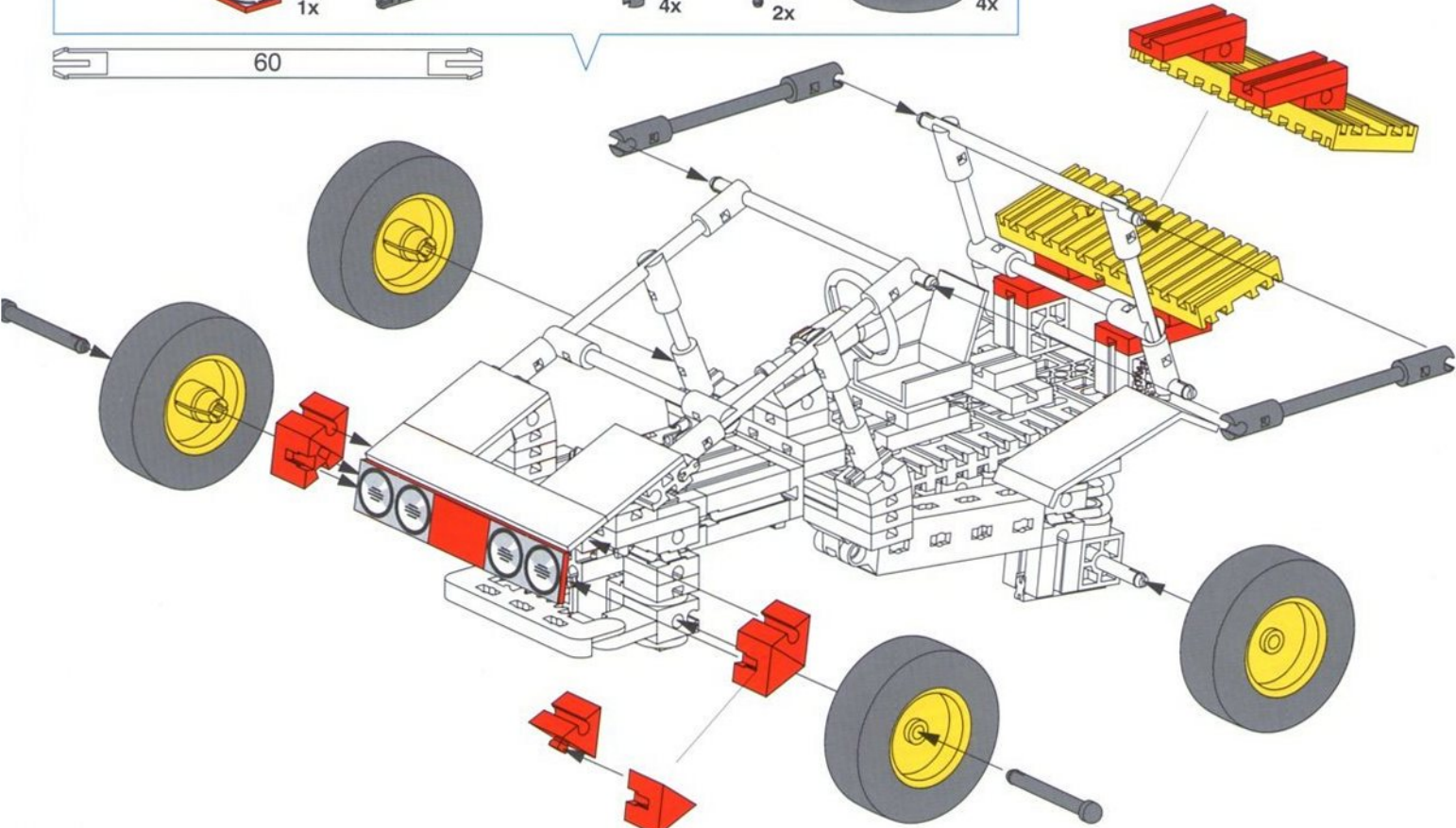




9

- 60° 2x
- 2x
- 1x
- 60 2x
- 4x
- 2x
- 15° 2x
- 2x
- 4x

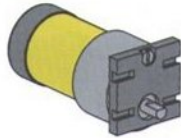
60



Motorisierung und Fernsteuerung
 Motorization and remote control
 Motorisation et commande à distance

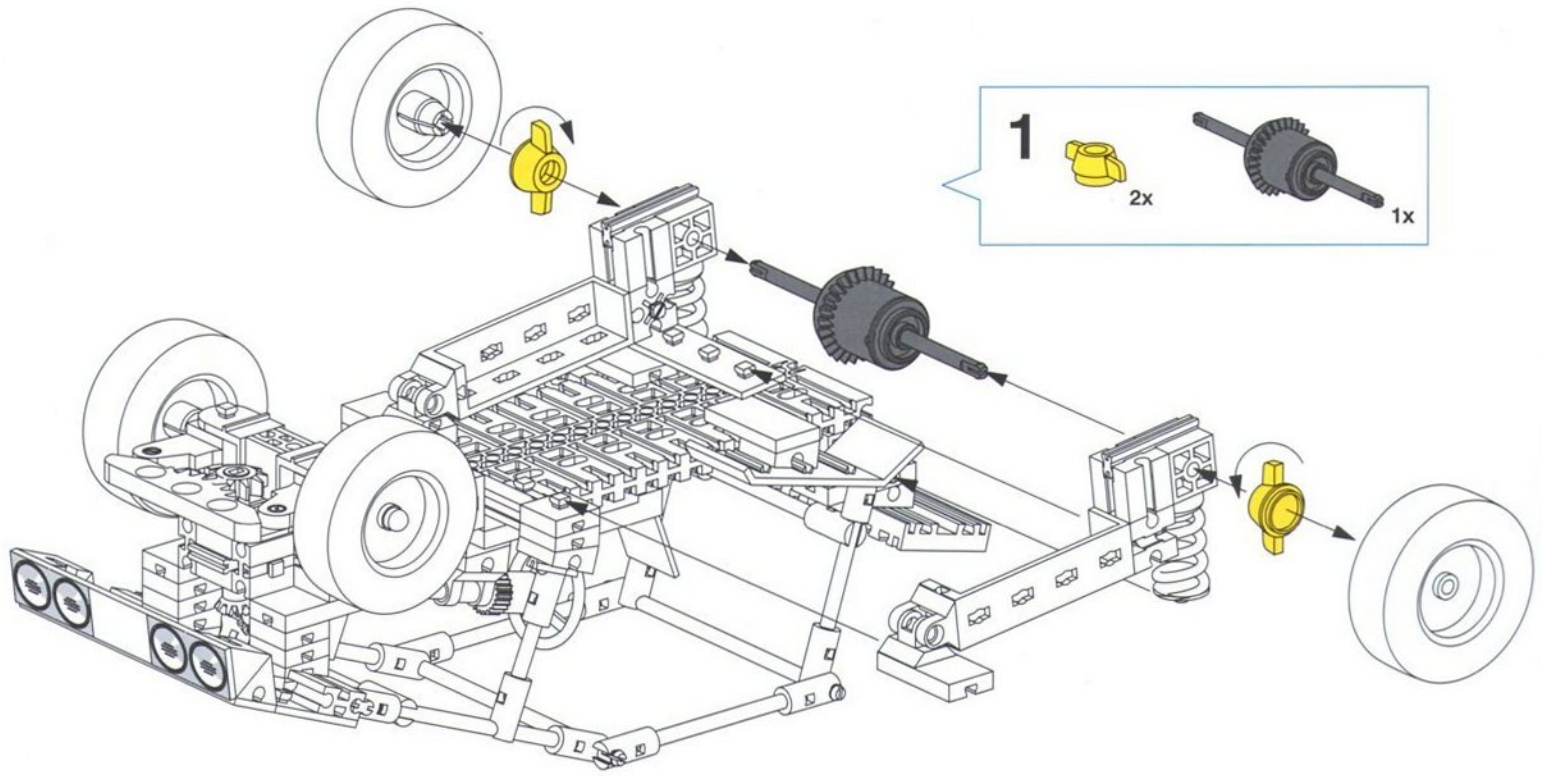
Motorisering en afstandsbesturing
 Motorización y mando a distancia
 Motorizzazione et telecomando

Radantrieb
 Wheel drive
 Entraînement de roue



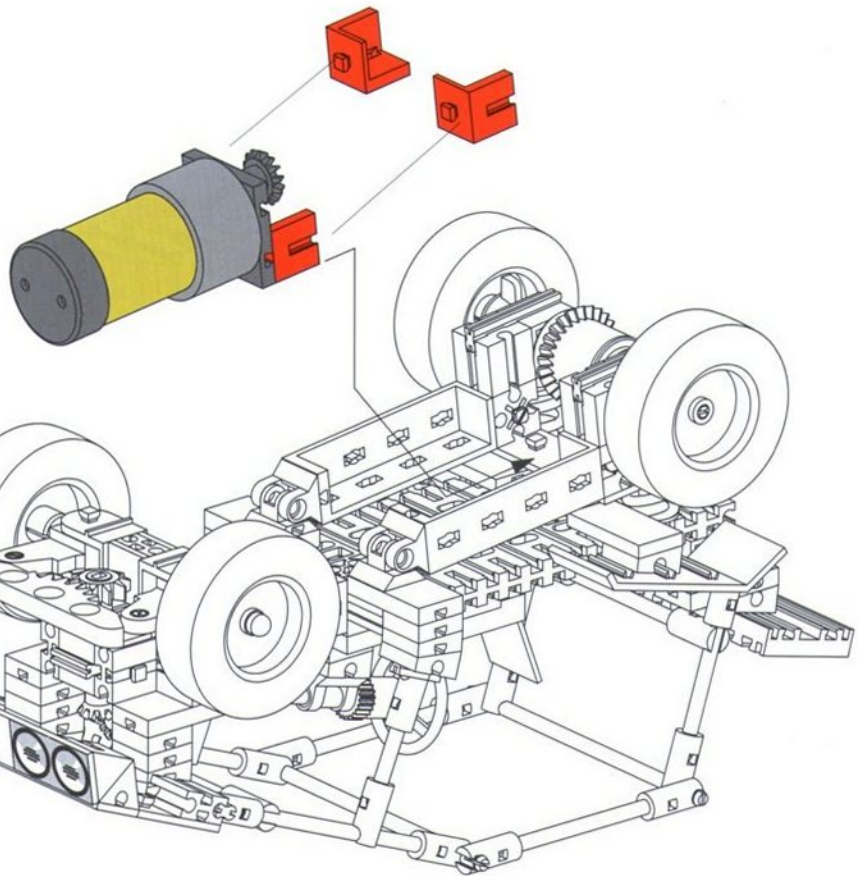
Wiel aandrijving
 Accionamiento por ruedas
 Azionamento ruota

Power Motor
 Set
 34965



1

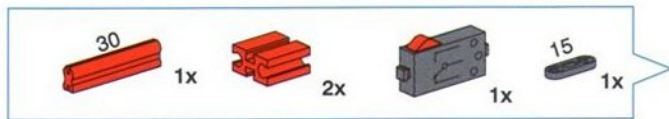
2x 1x



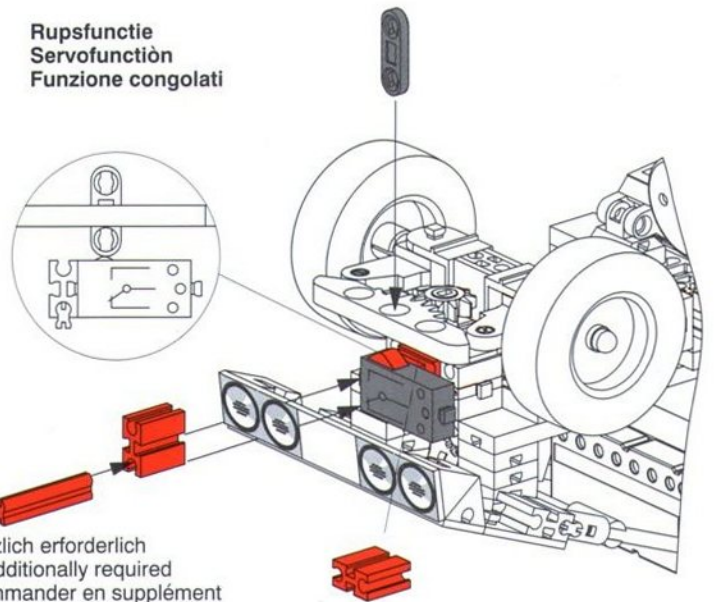
2

2x 1x 1x

Servofunktion
Track function
Fonktion direction assistée



Rupsfunctie
Servofunctiòn
Funzione congolati

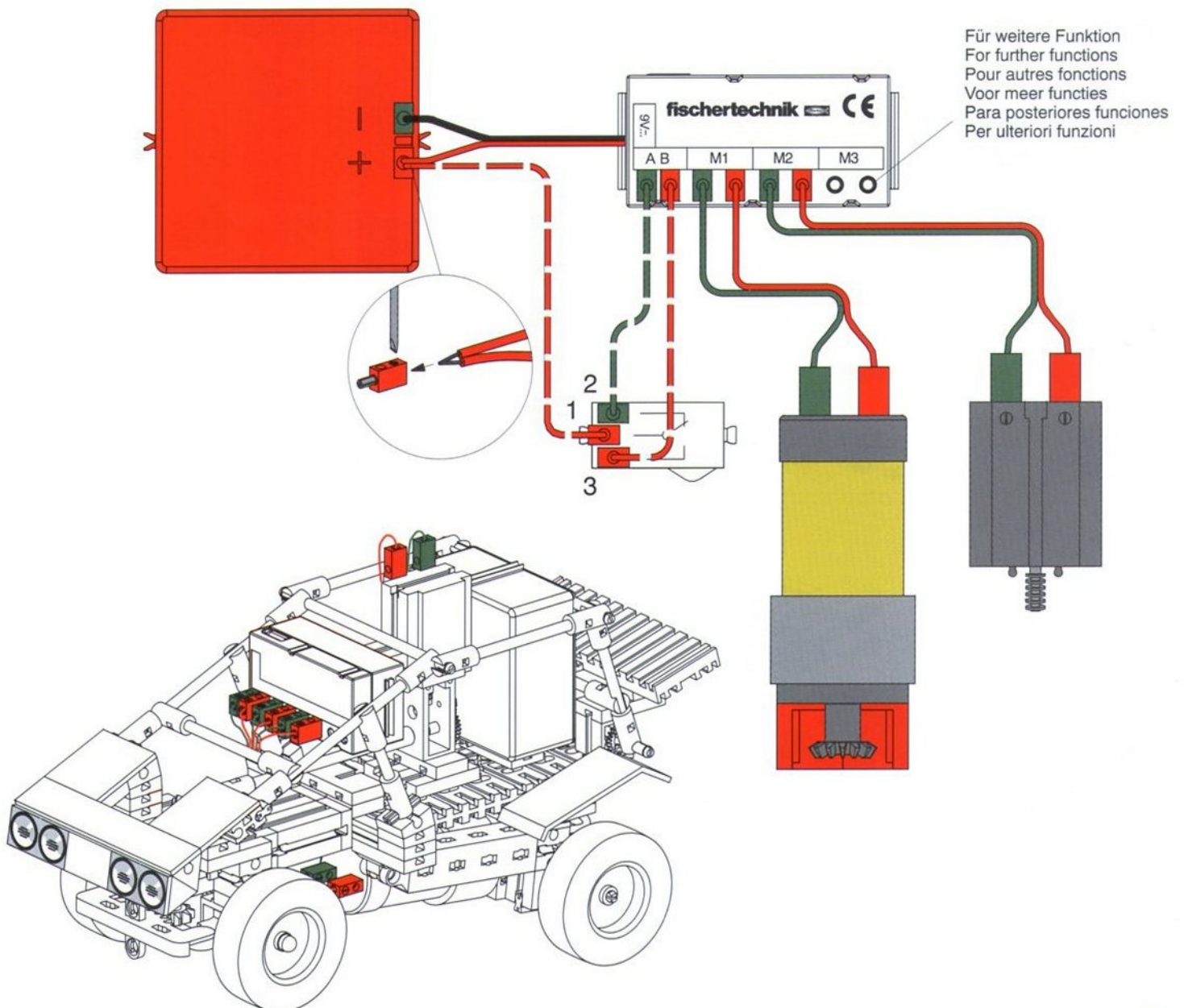


siehe Anleitung IR CONTROL SET
see IR CONTROL SET instructions
voir notice IR CONTROL SET
zie handleiding IR CONTROL SET
ver las instrucciones IR CONTROL SET
Vedi istruzioni d'uso IR CONTROL SET

- Minitaster, Art.-Nr. 37783, zusätzlich erforderlich
- Mini-switch (Art. No. 37783) is additionally required
- Mini-clavier, art. n° 37783, à commander en supplément
- Mini-taster, art.nr. 37783 extra noodzakelijk
- Minipalpador, art. n°. 37783, adicionalmente necesario
- Mini sensore, art. no. 37783, supplementarmente necessario

Schaltplan
Circuit diagram
Plan électrique

Schakelschema
Diagrama de circuitos
Schema elettrico



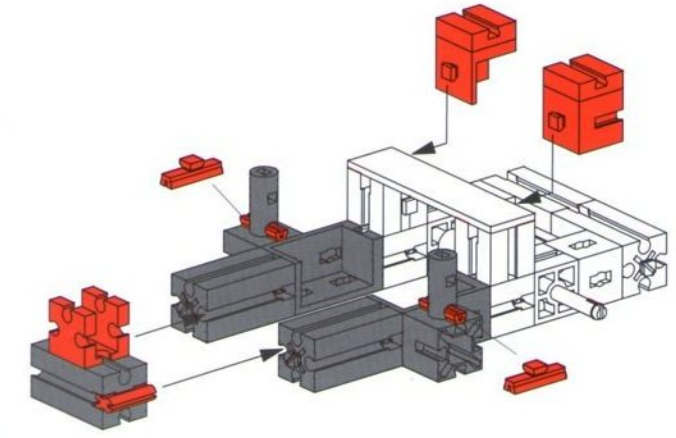
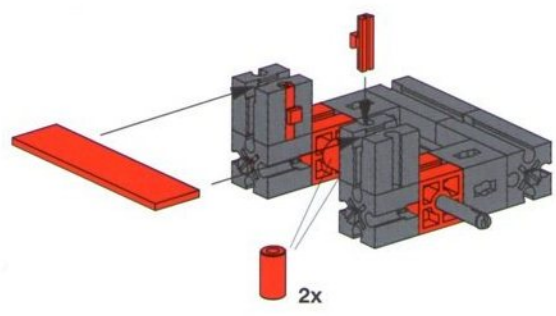
Pick-up



1

- 2x [Grey Technic Beam 3x5]
- 4x [Grey Technic Beam 2x3]
- 2x [Red Technic Beam 2x3]
- 2x [Grey Technic Beam 1x3]
- 1x [Grey Technic Pin Long]
- 1x [Red Technic Beam 1x5]
- 2x [Red Technic Pin Short]
- 2x [Red Technic Pin Long]

98

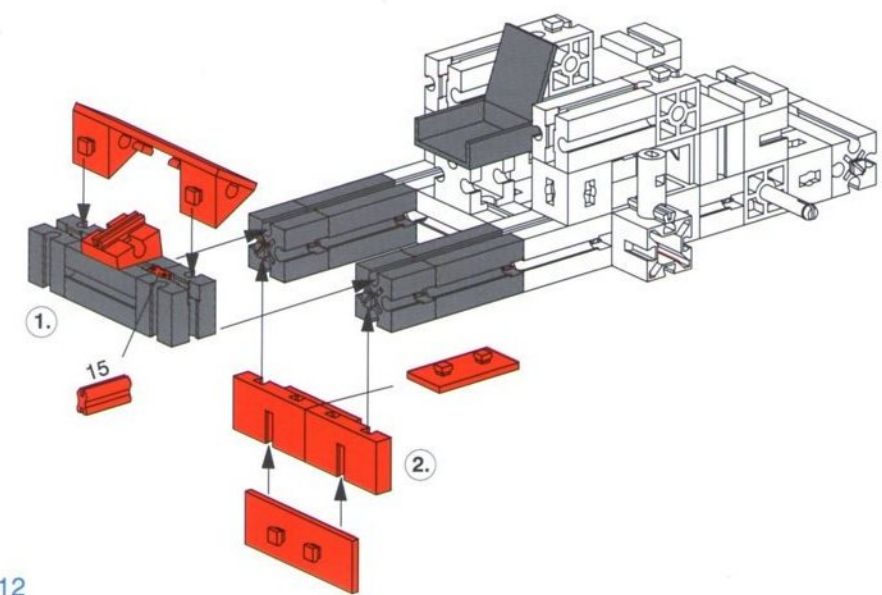
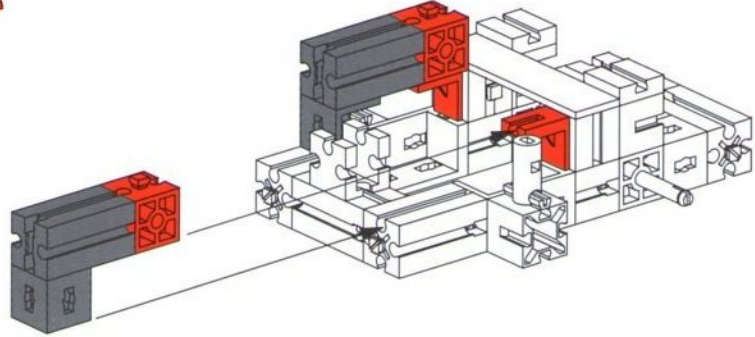


2

- 3x [Grey Technic Beam 3x5]
- 2x [Grey Technic Beam 2x3]
- 1x [Red Technic Beam 2x3]
- 2x [Grey Technic Pin Short]
- 2x [Grey Technic Beam 1x3]
- 2x [Red Technic Beam 2x3]
- 1x [Red Technic Beam 1x5]
- 2x [Red Technic Pin Long]
- 2x [Red Technic Pin Short]

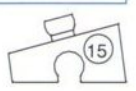
3

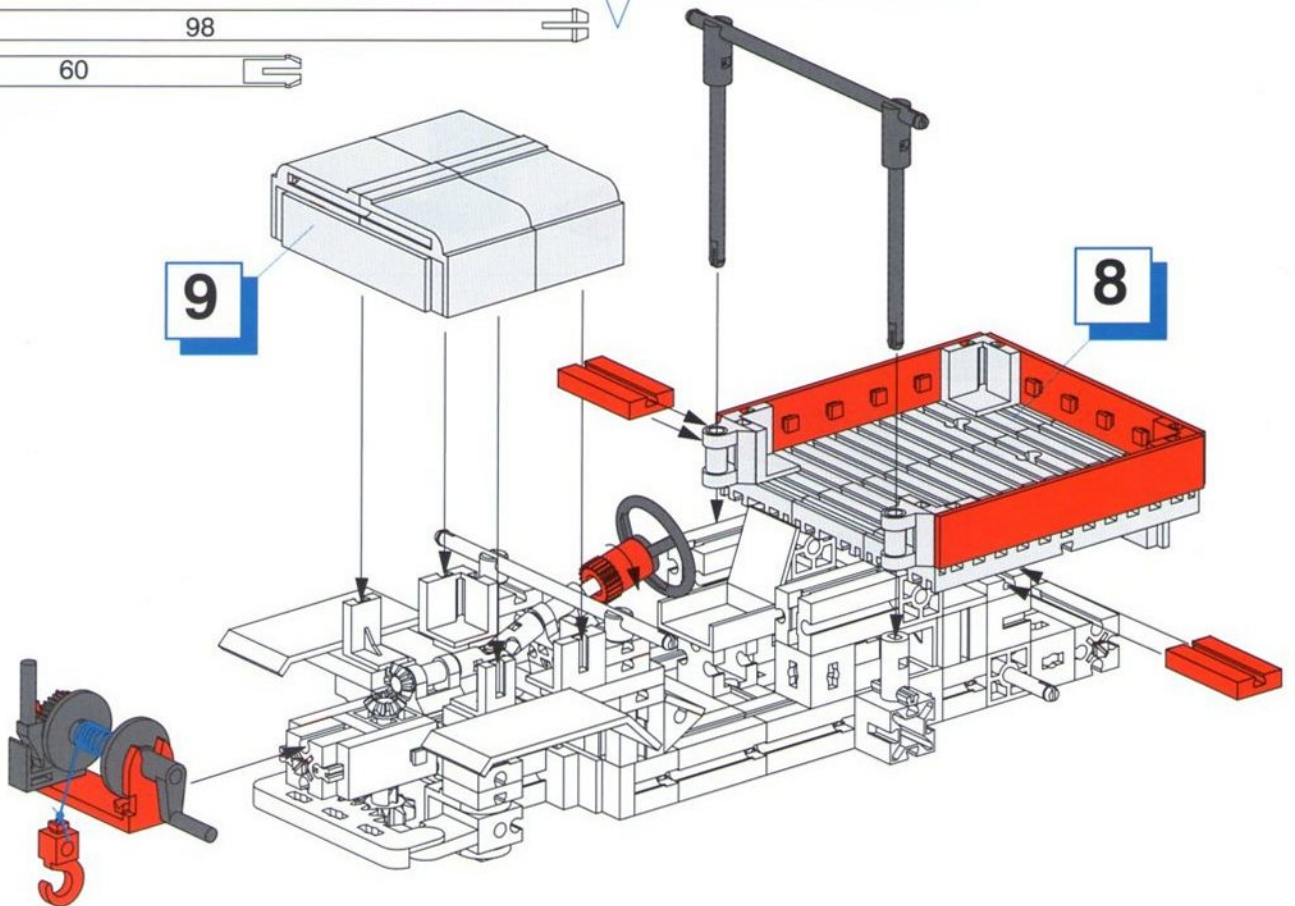
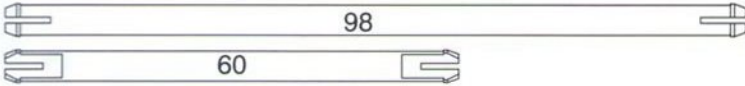
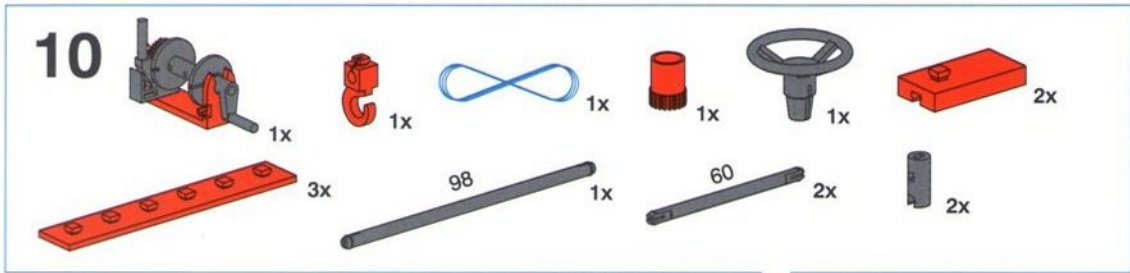
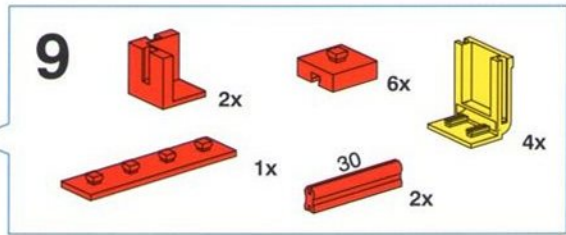
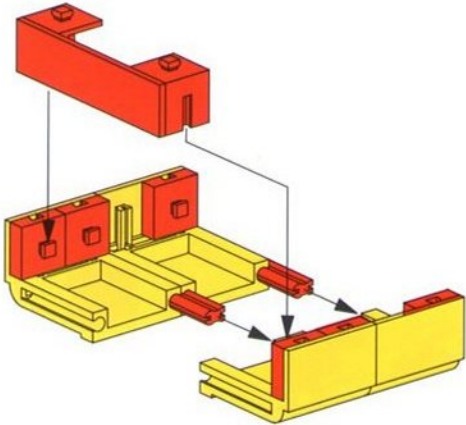
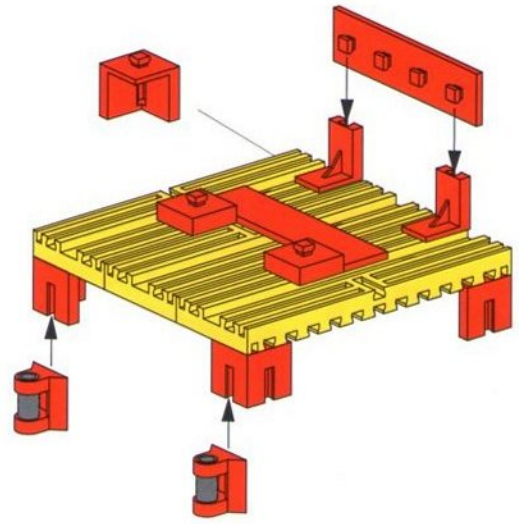
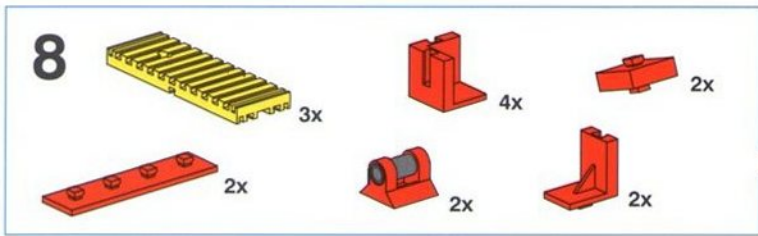
- 2x [Grey Technic Beam 3x5]
- 2x [Red Technic Beam 2x3]
- 2x [Grey Technic Beam 1x3]
- 2x [Red Technic Pin Long]

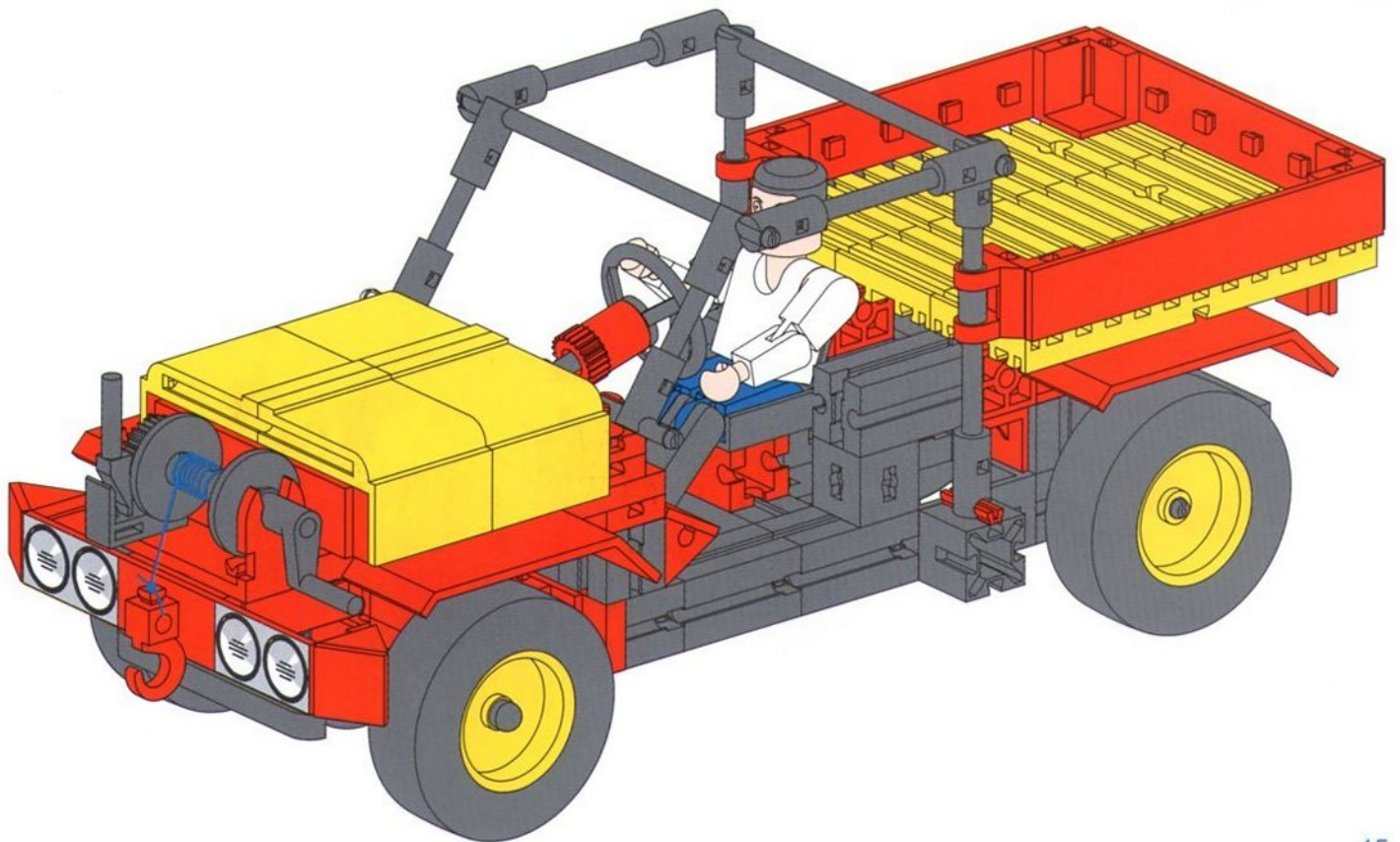
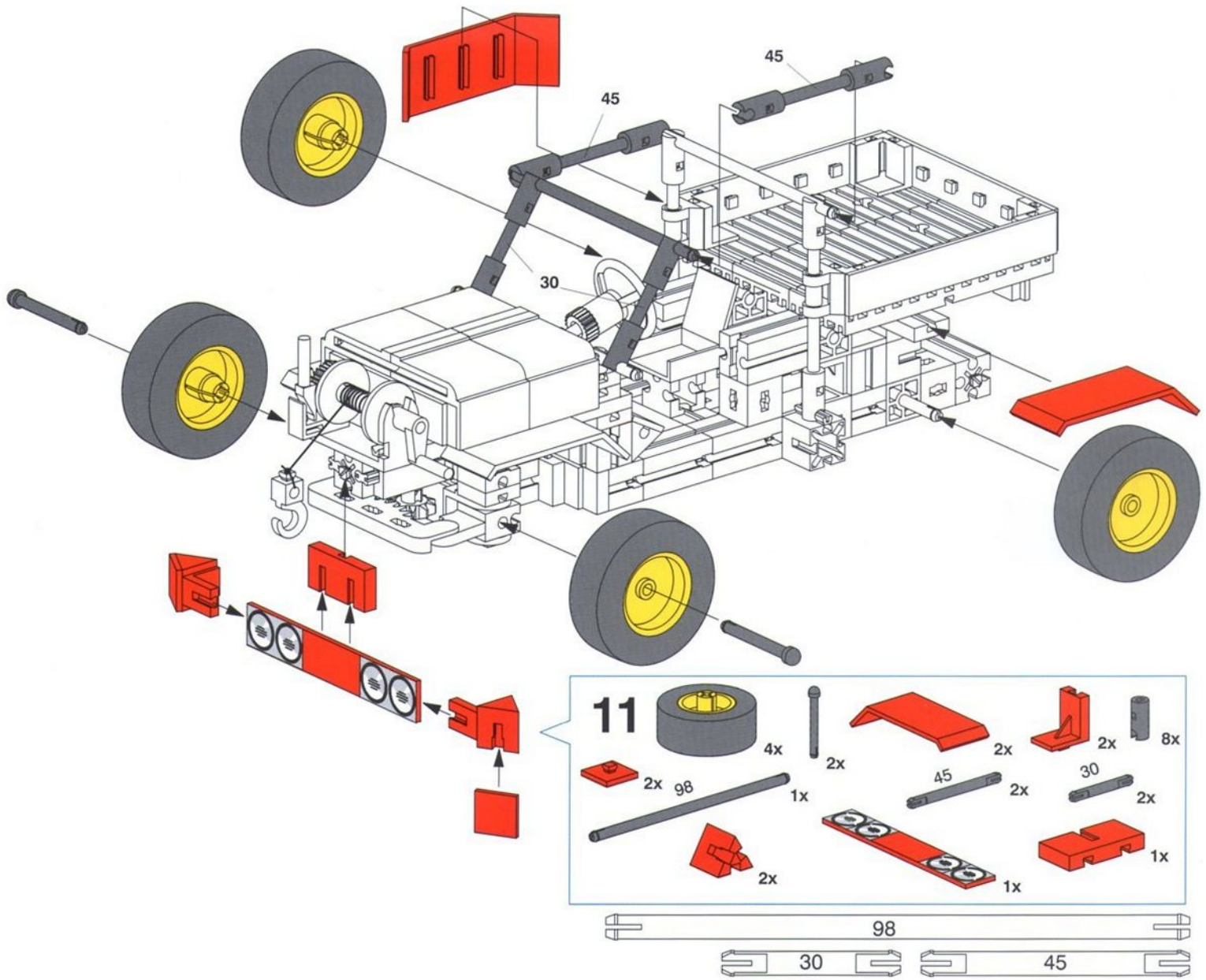


4

- 3x [Grey Technic Beam 3x5]
- 4x [Grey Technic Beam 2x3]
- 1x [Red Technic Beam 1x5]
- 1x [Red Technic Beam 2x3]
- 1x [Grey Technic Seat]
- 1x [Red Technic Beam 1x5]
- 2x [Red Technic Beam 2x3]
- 2x [Red Technic Beam 1x3]
- 1x [Red Technic Beam 1x5]
- 1x [Red Technic Beam 1x5]
- 1x [Red Technic Beam 1x5]
- 1x [Red Technic Beam 1x5]



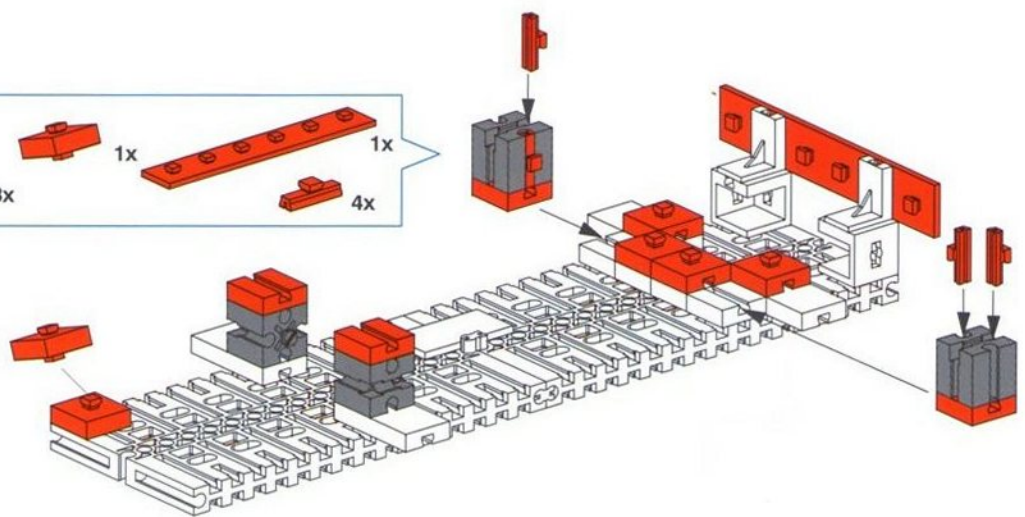
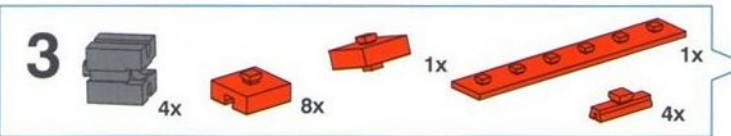
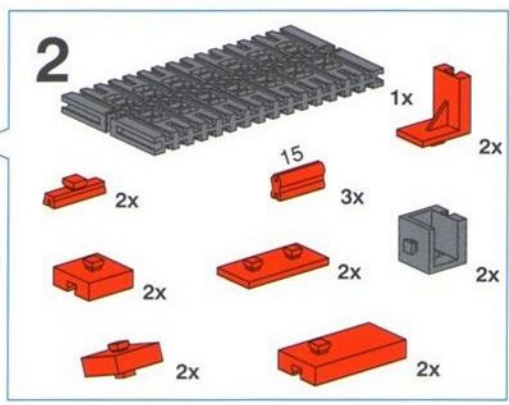
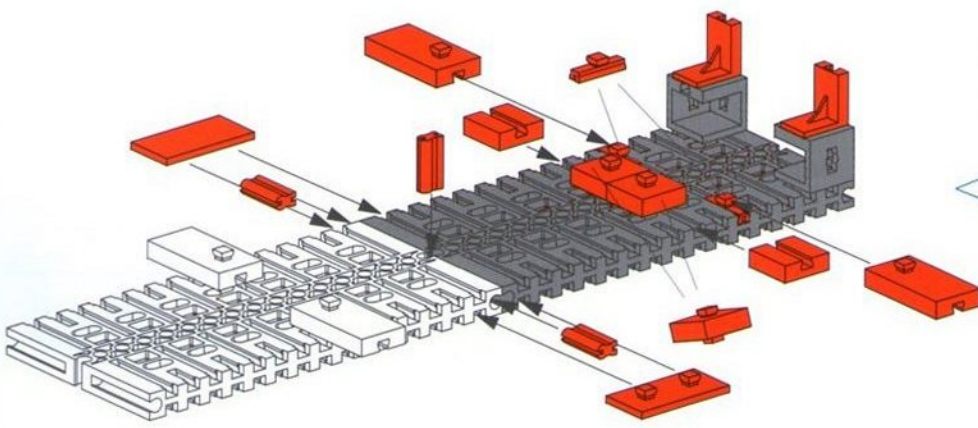
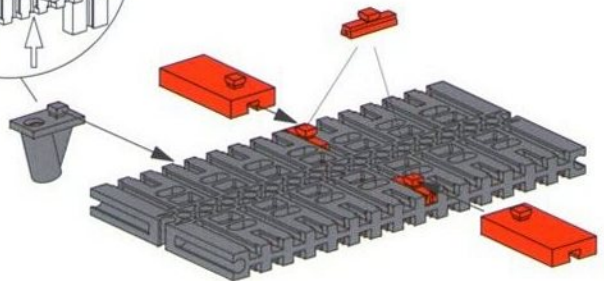
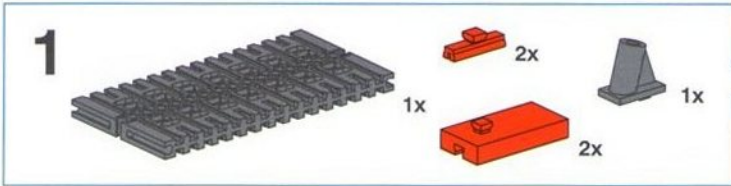
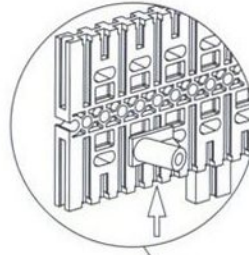






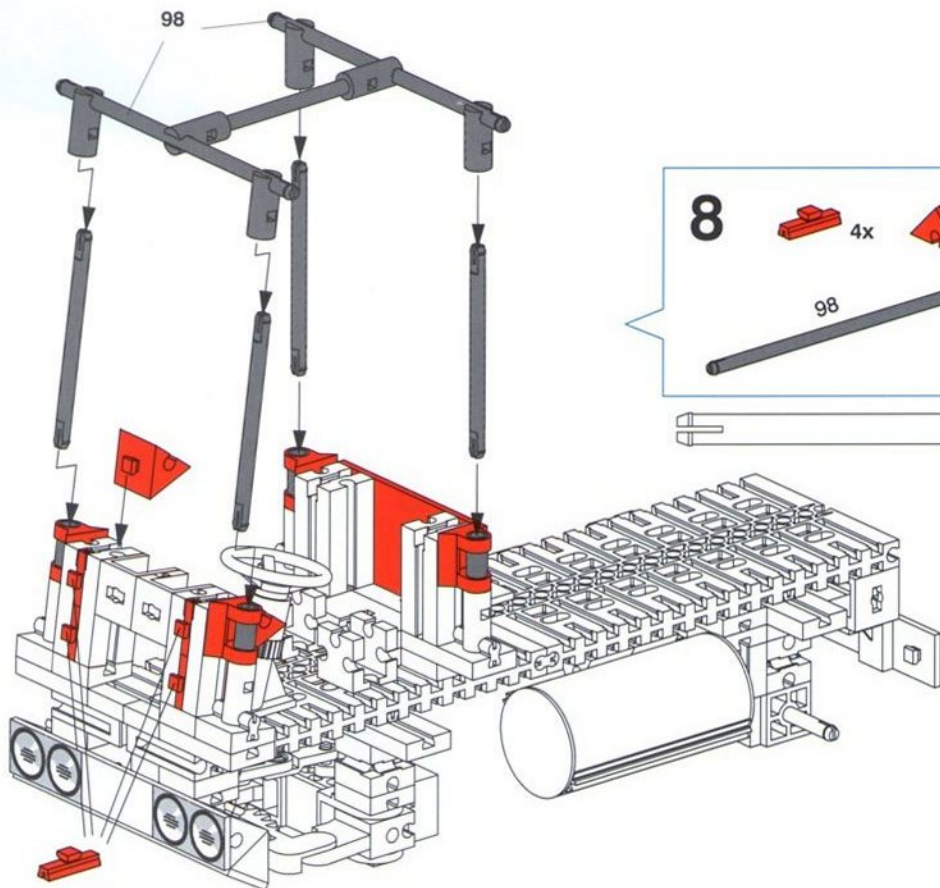
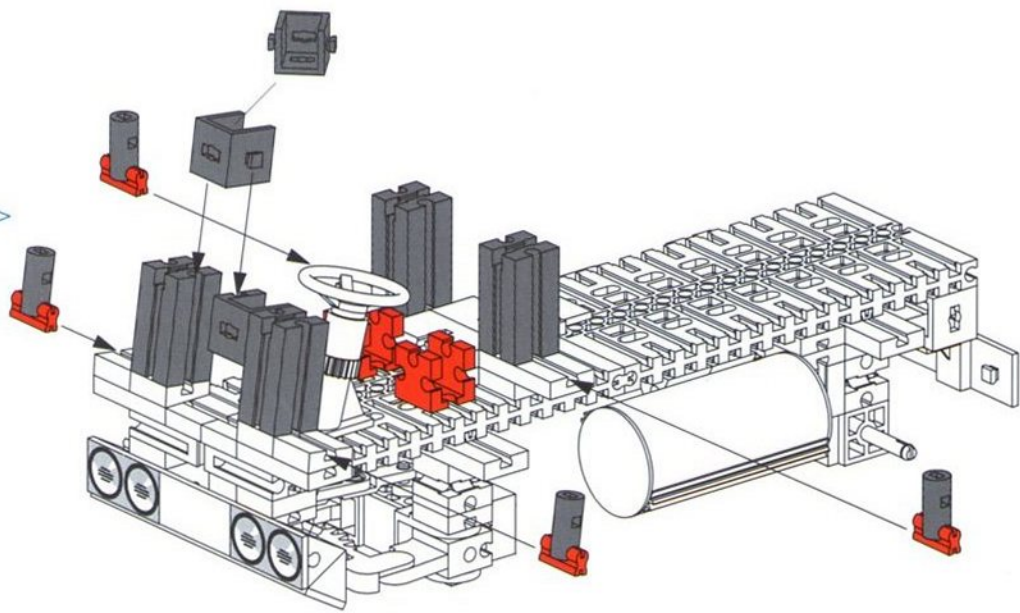
LKW-Grundaufbau
Truck basic structure
Camion de base

Basisopbouw voor vrachtwagens
Estructura base del camión
Struttura di base autocarro



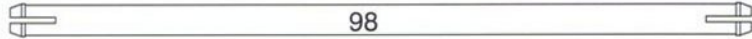
7

- 4x [Grey Technic Beam 1x5]
- 2x [Red Technic Connector]
- 1x [Grey Technic Pin]
- 1x [Grey Technic Pin]
- 4x [Red Technic Pin 15]
- 4x [Grey Technic Pin]

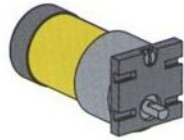


8

- 4x [Red Technic Pin]
- 2x [Red Technic Connector 60°]
- 4x [Red Technic Connector]
- 6x [Grey Technic Pin]
- 2x [Grey Technic Beam 98]
- 5x [Grey Technic Beam 60]
- 1x [Red Technic Plate 1x]

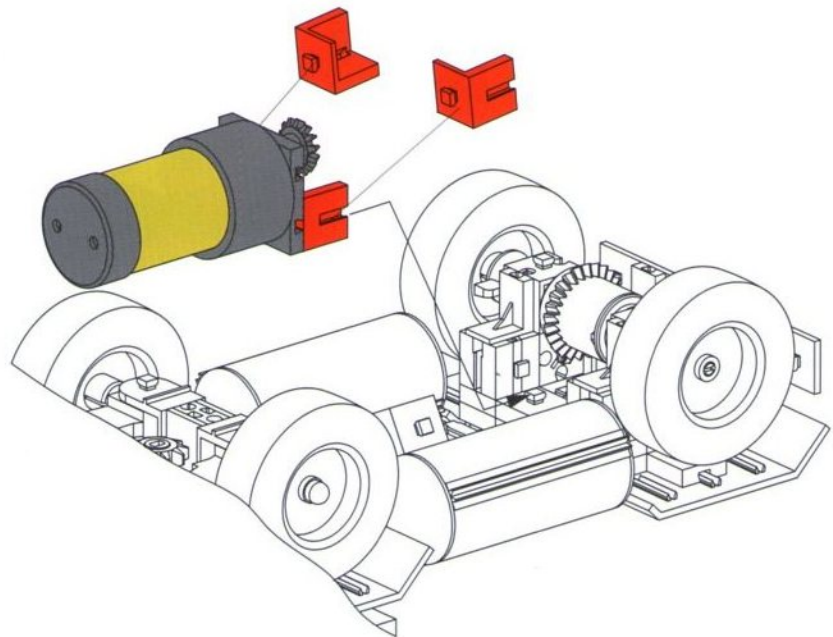
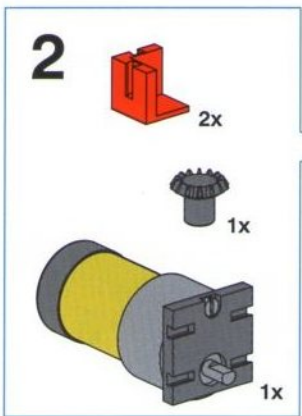
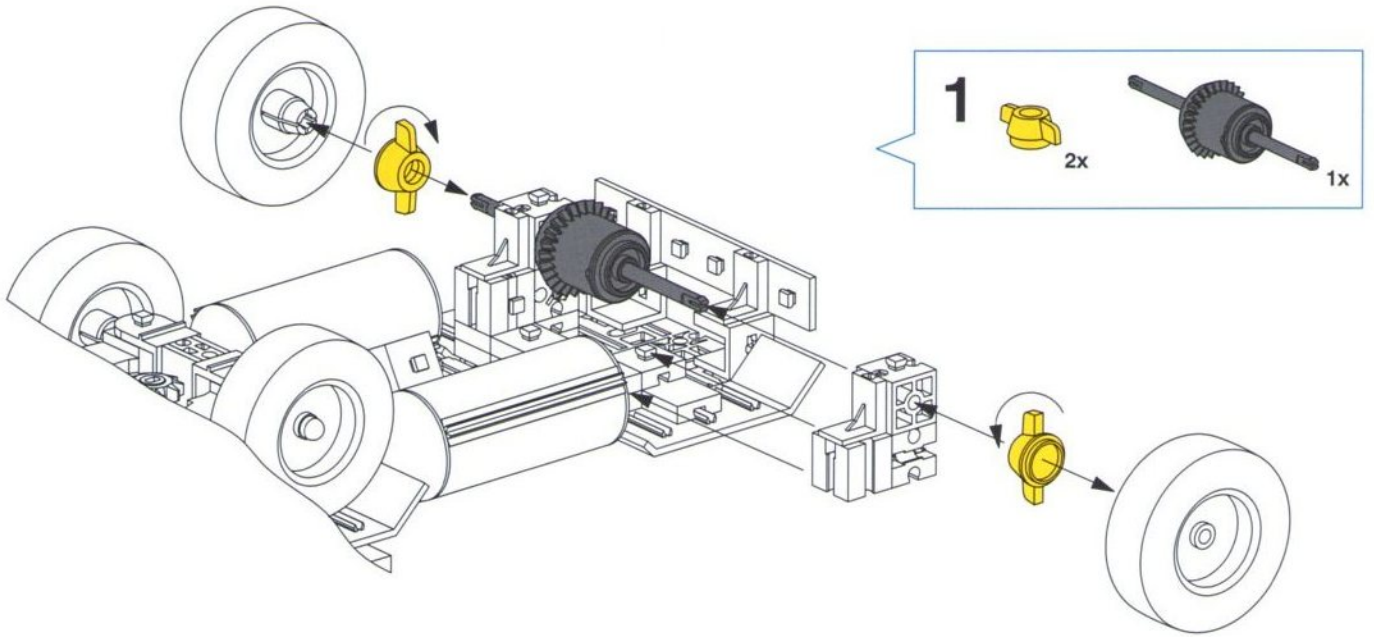


Radantrieb
 Wheel drive
 Entraînement de roue



Wiel aandrijving
 Accionamiento por ruedas
 Azionamento ruota

Power Motor
 Set
 34965

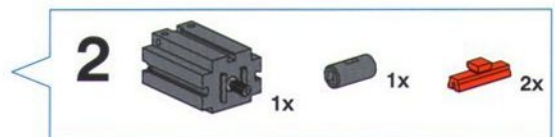
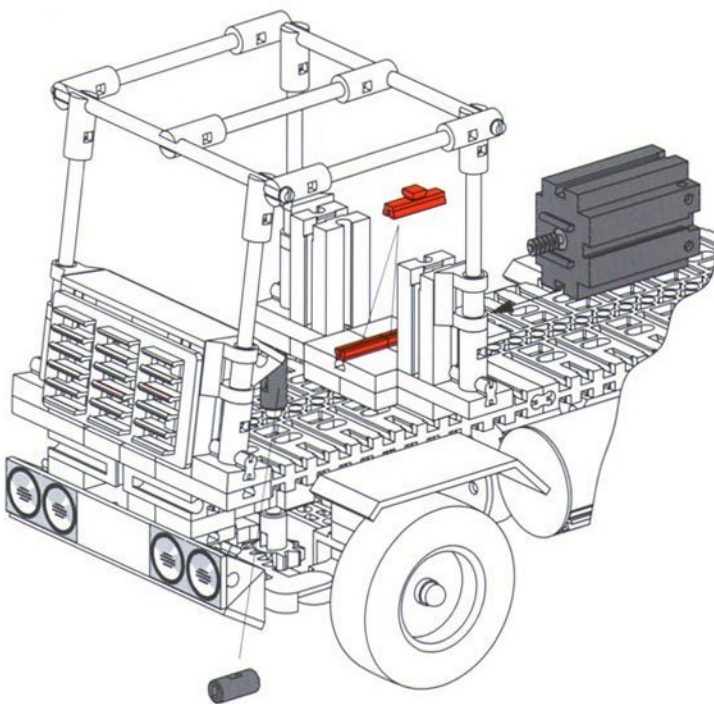
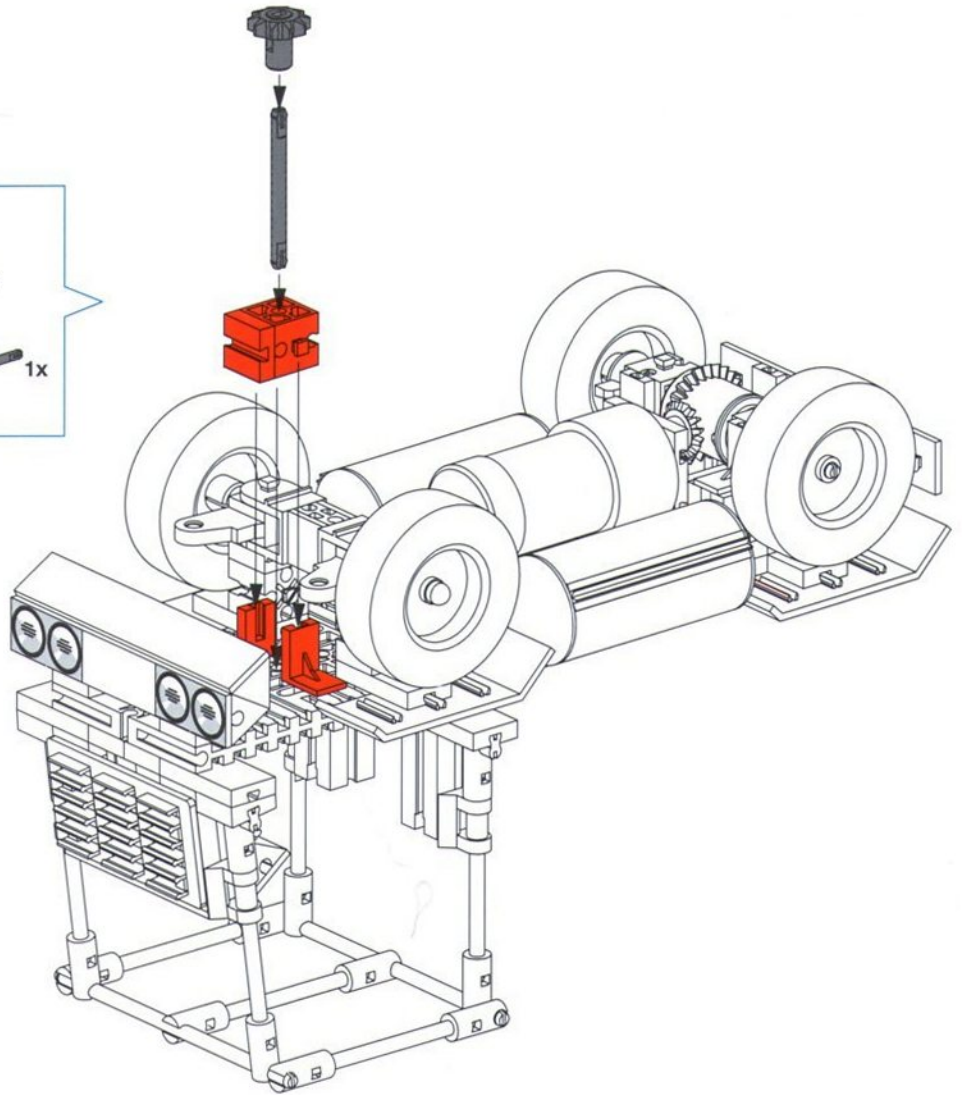
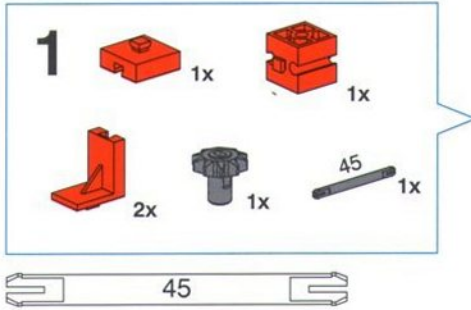


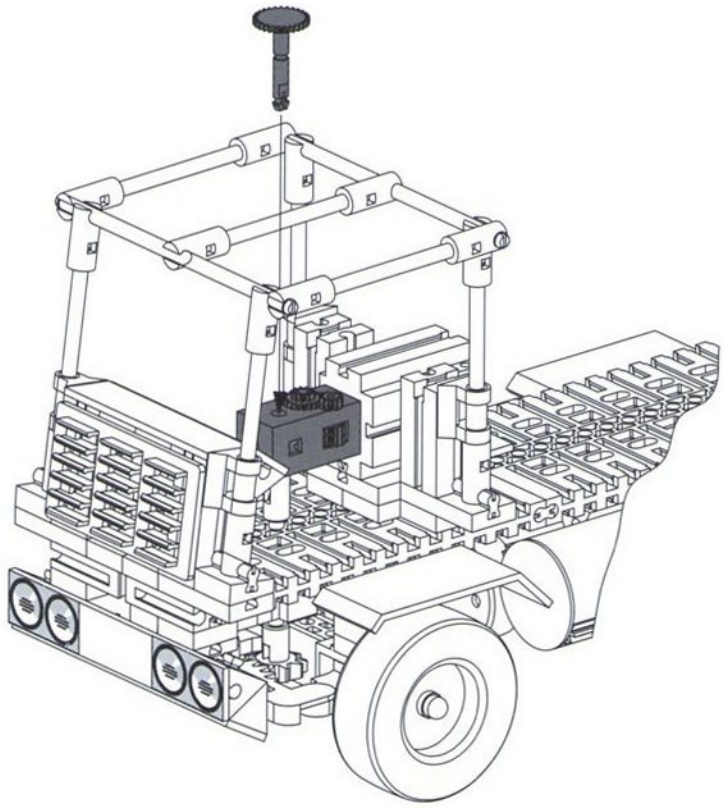
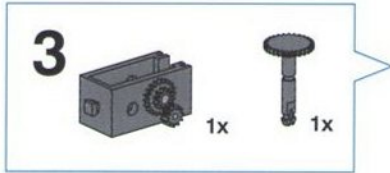
Lenkung
Steering system
Direction



Stuurinrichting
Dirección
Sterzo

Mini Motor
Set
30342

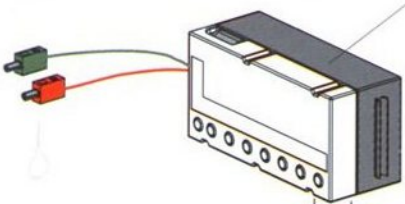




Fernsteuerung
Remote control
Commande à distance

Afstandsbesturing
Mando a distancia
Telecomando

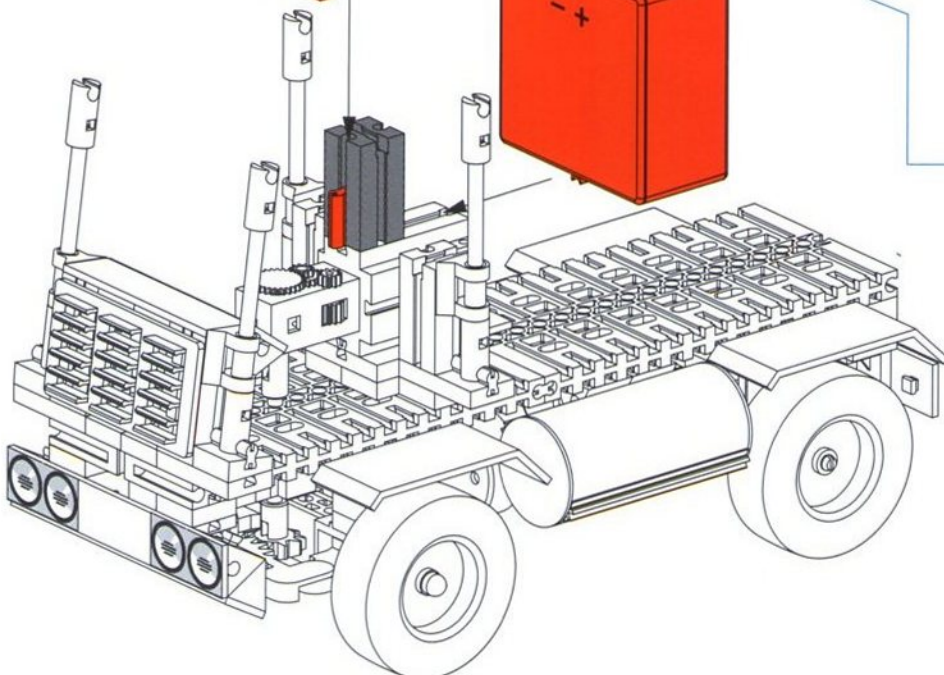
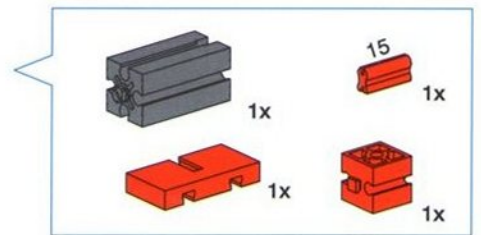
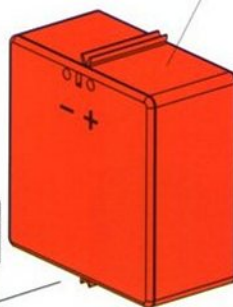
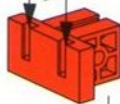
IR Control
Set
30344



Stromversorgung
Power supply
Alimentation électrique

Stroomvoorziening
Alimentación de corriente
Alimentazione di corrente

Accu
Set
34969

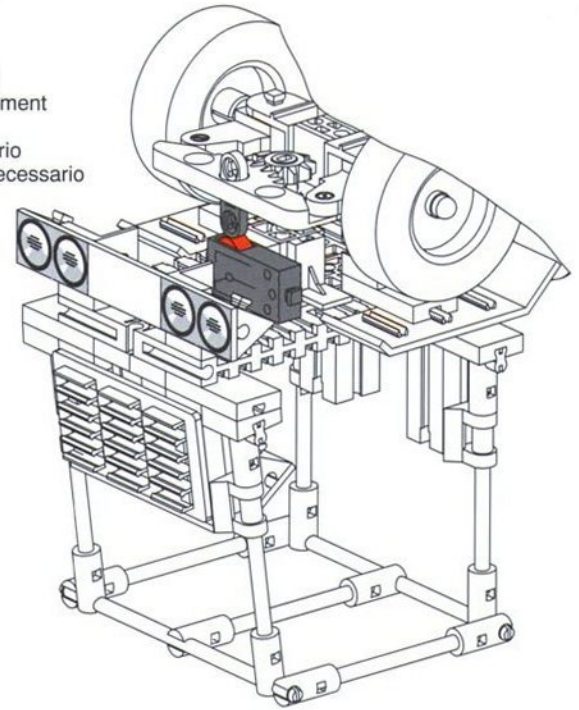
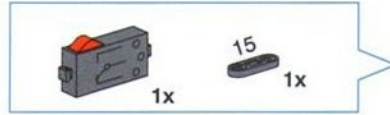


Servofunktion
Track function
Fonktion direction assistée

Rupsfunctie
Servofunktion
Funzione congelati

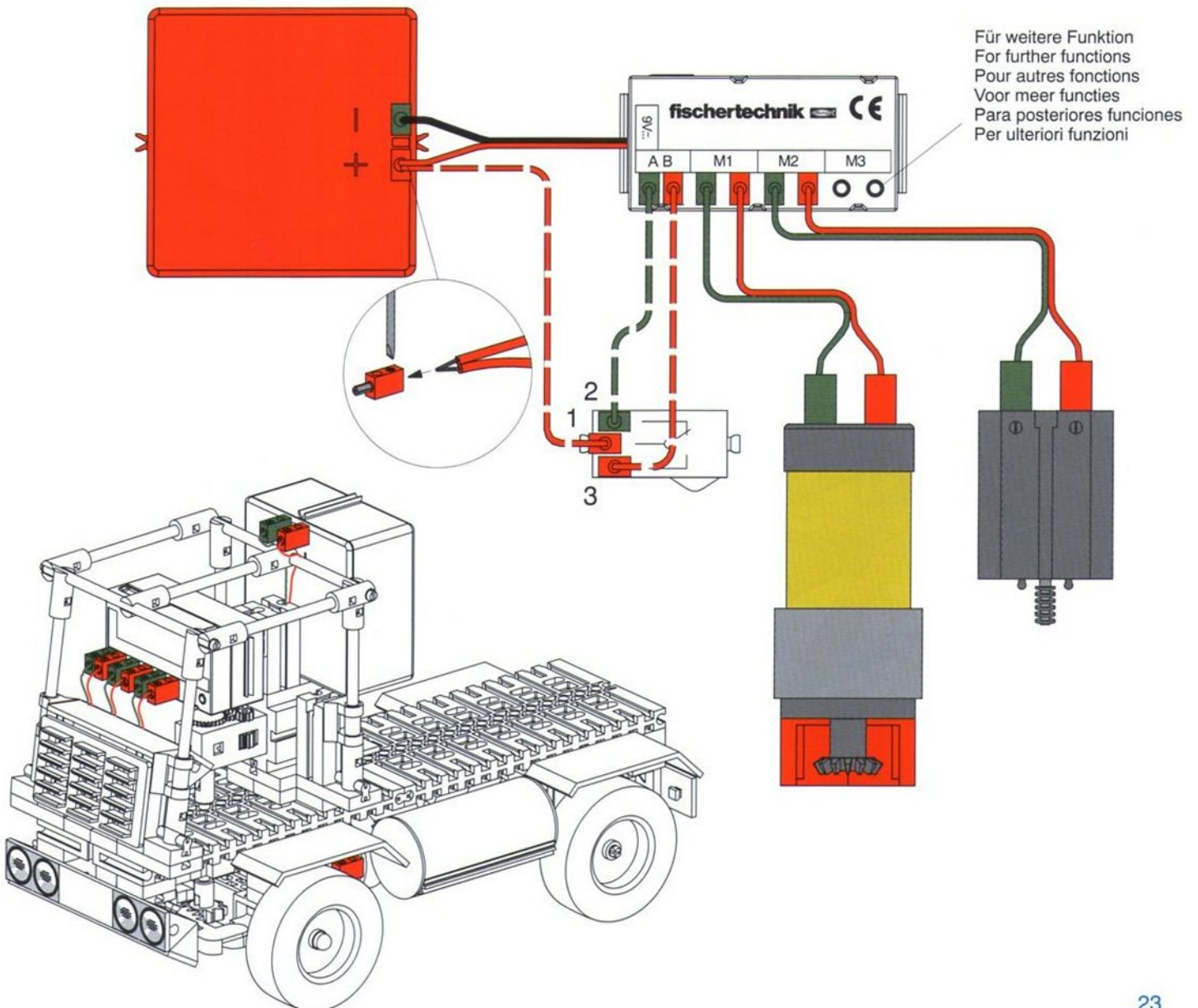
siehe Anleitung IR CONTROL SET
see IR CONTROL SET instructions
voir notice IR CONTROL SET
zie handleiding IR CONTROL SET
ver las instrucciones IR CONTROL SET
Vedi istruzioni d'uso IR CONTROL SET

- Minitaster, Art.-Nr. 37783, zusätzlich erforderlich
- Mini-switch (Art. No. 37783) is additionally required
- Mini-clavier, art. n° 37783, à commander en supplément
- Mini-taster, art.nr. 37783 extra noodzakelijk
- Minipalpador, art. n°. 37783, adicionalmente necesario
- Mini sensore, art. no. 37783, supplementarmente necessario



Schaltplan
Circuit diagram
Plan électrique

Schakelschema
Diagrama de circuitos
Schema elettrico



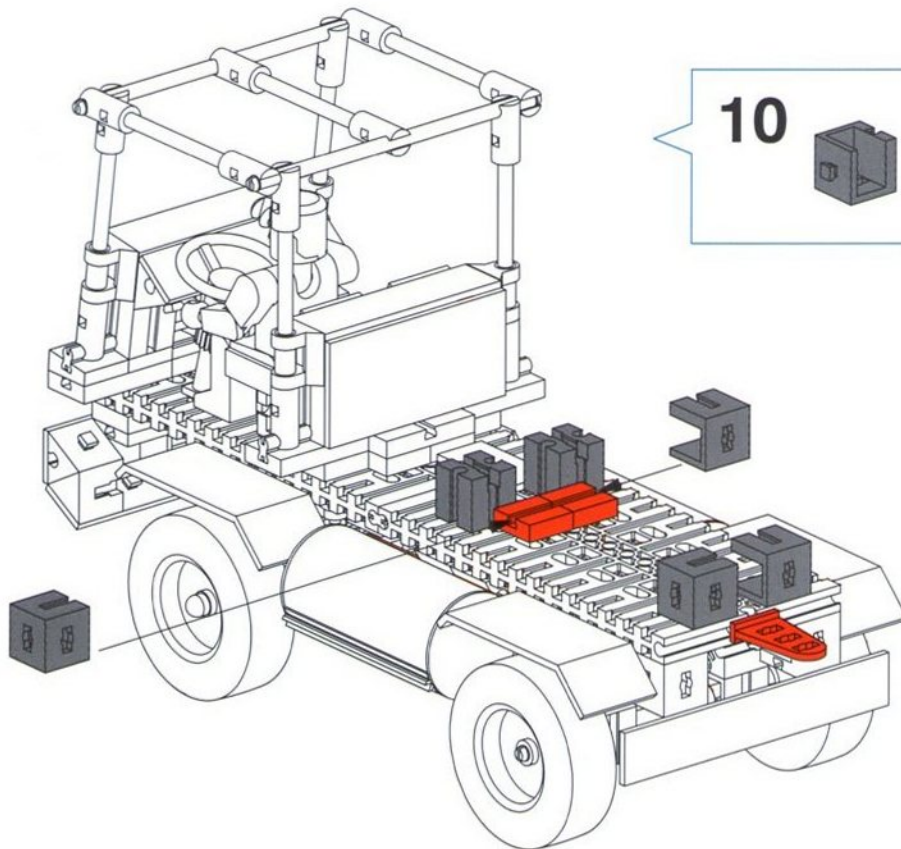
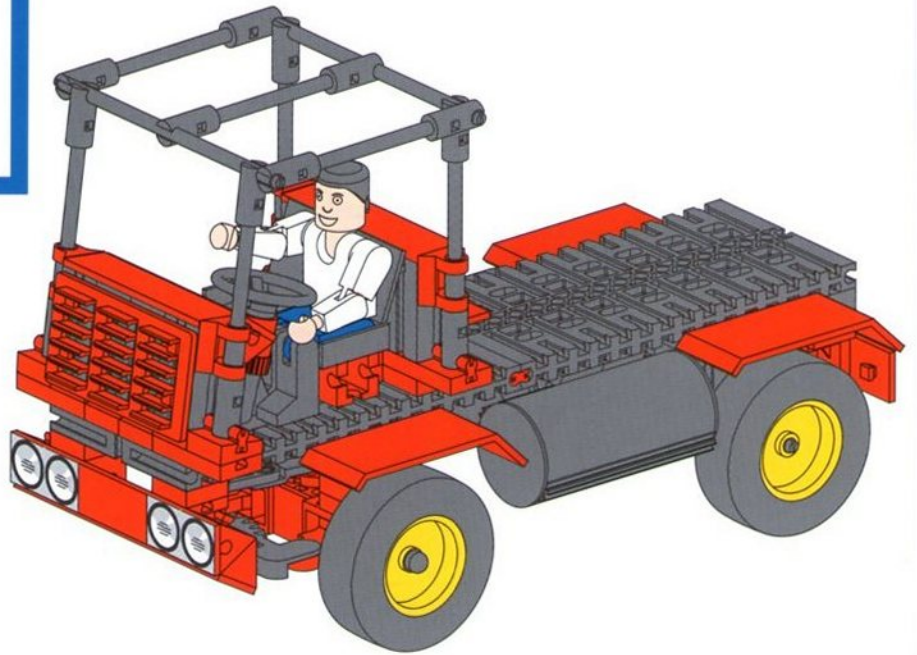


Abschleppwagen
Tow Truck
Dépanneuse

Kraanwagen
Coche-grúa
Carro attrezzi

1-9

Seite 16 - 19
Page 16 - 19
Page 16 - 19
Bladzijde 16 - 19
Página 16 - 19
Pagina 16 - 19



10



4x



2x



2x



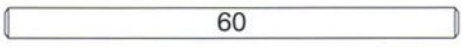
1x

12

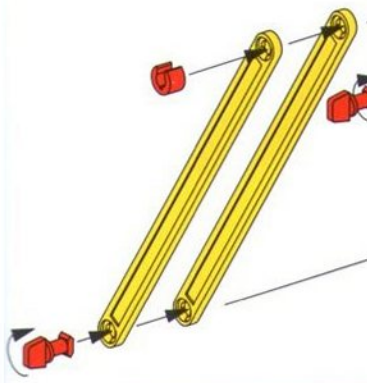
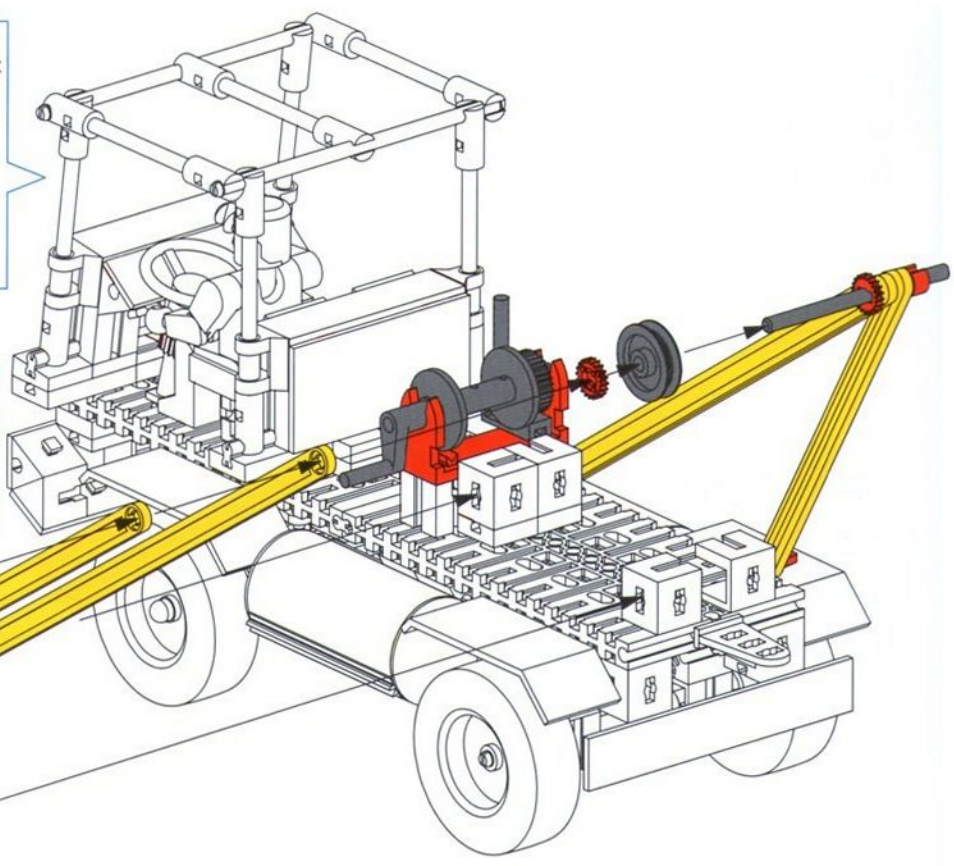
169,6 4x 120 4x

60 1x 2x 6 4x

2x 1x 1x

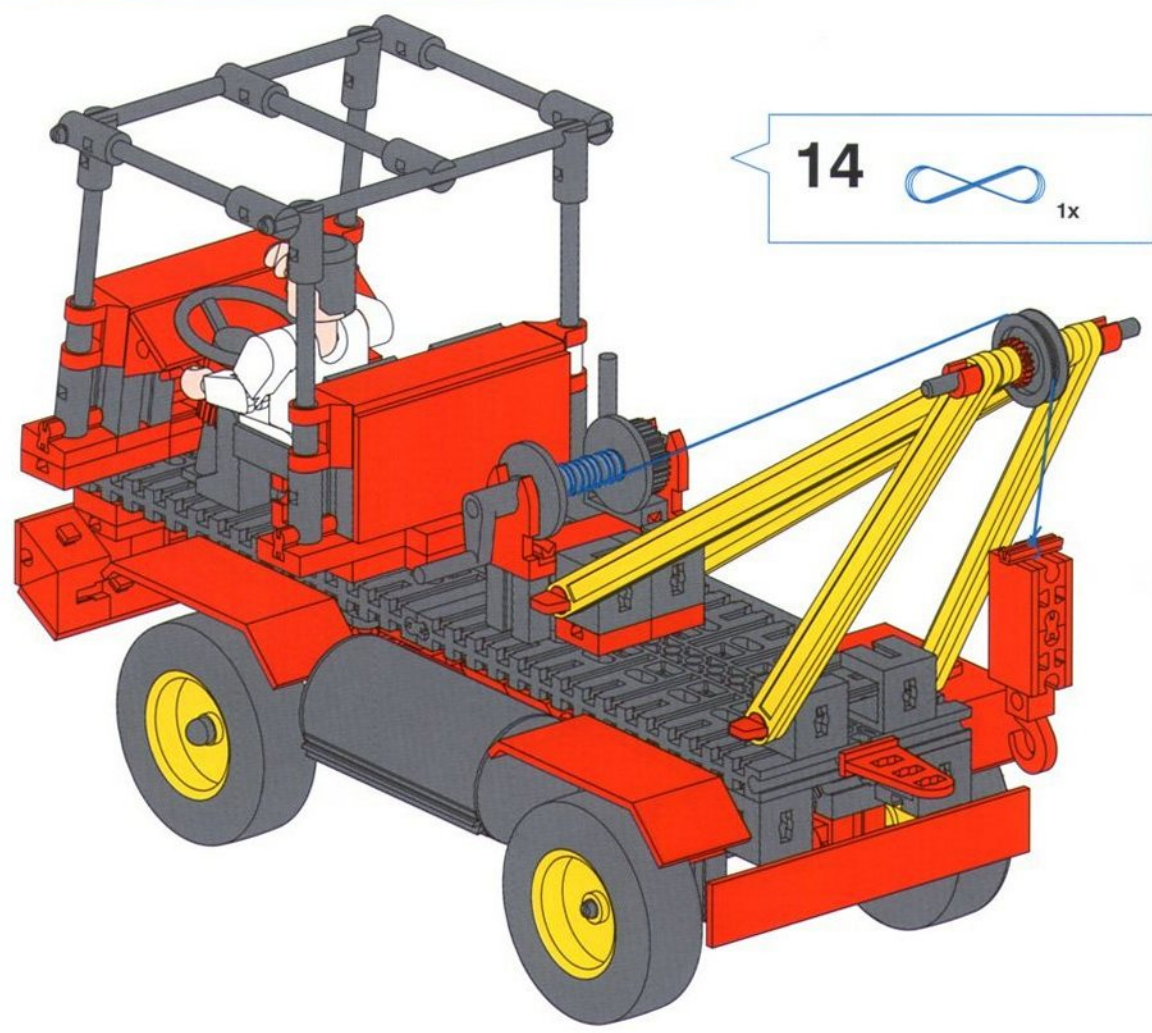
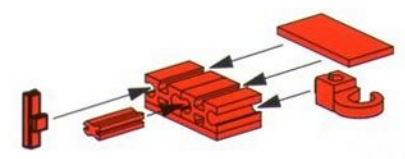


6 ≠ 4



13

2x 15 1x 1x 2x 1x

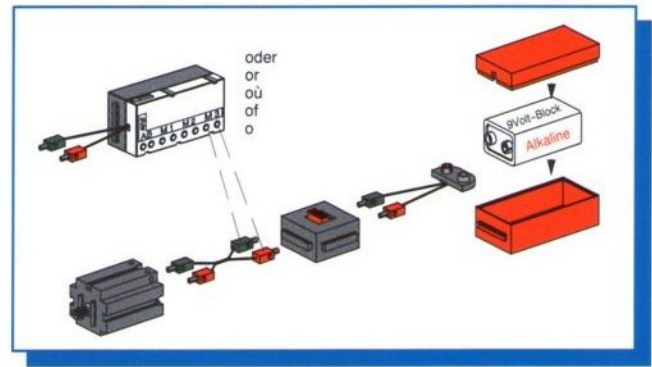
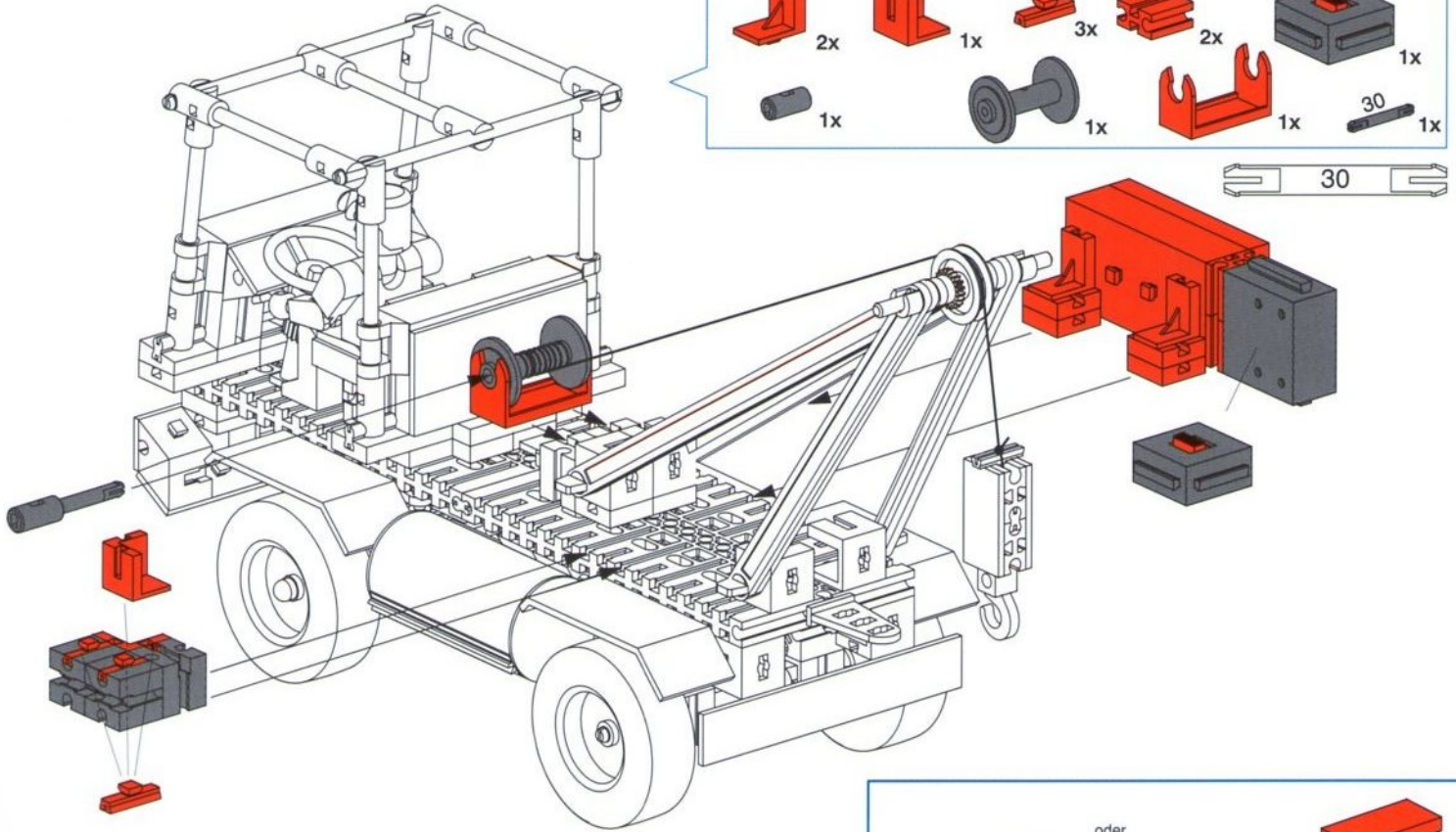


14

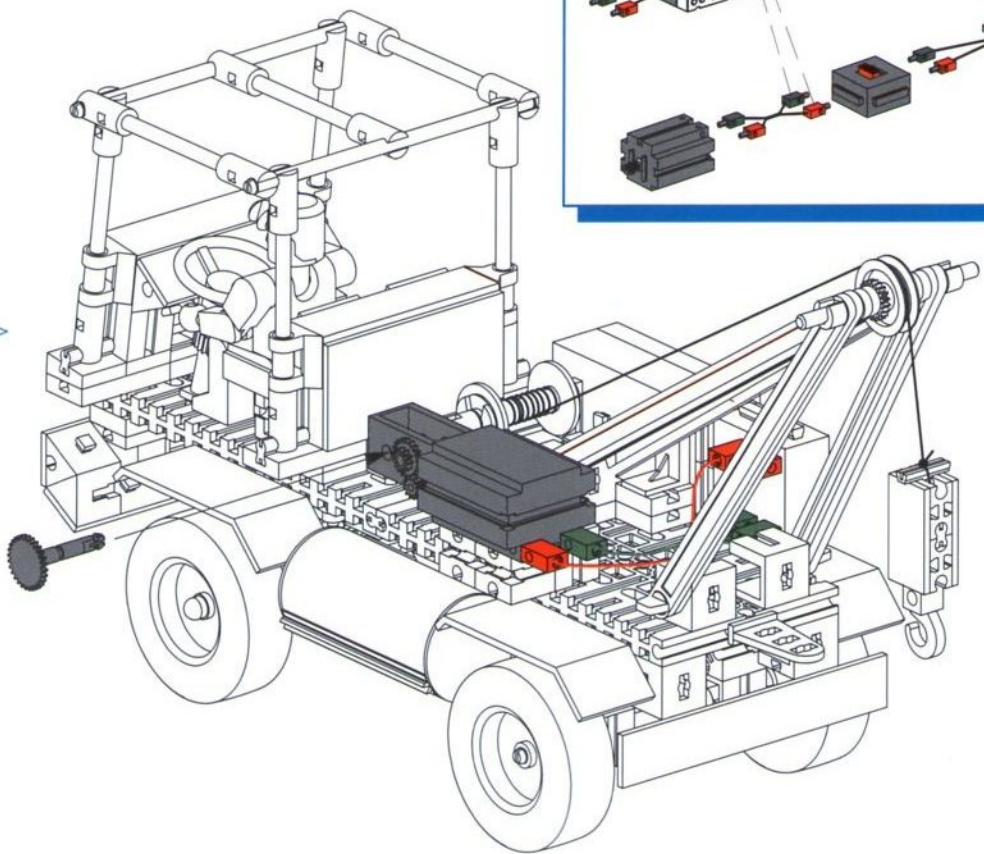
1x



- 1**
- 1x (Red 1x4 Technic Beam)
 - 1x (Red 1x6 Technic Beam)
 - 3x (Grey 1x4 Technic Beam)
 - 4x (Red 1x2 Technic Beam)
 - 2x (Red L-shaped Technic Connector)
 - 1x (Red U-shaped Technic Connector)
 - 3x (Red 1x2 Technic Pin)
 - 2x (Red 1x3 Technic Pin)
 - 1x (Grey 1x4 Technic Connector)
 - 1x (Grey 1x4 Technic Connector)
 - 1x (Grey Pin)
 - 1x (Grey Pin with Gear)
 - 1x (Red U-shaped Technic Connector)
 - 1x (Grey Pin with Length 30)

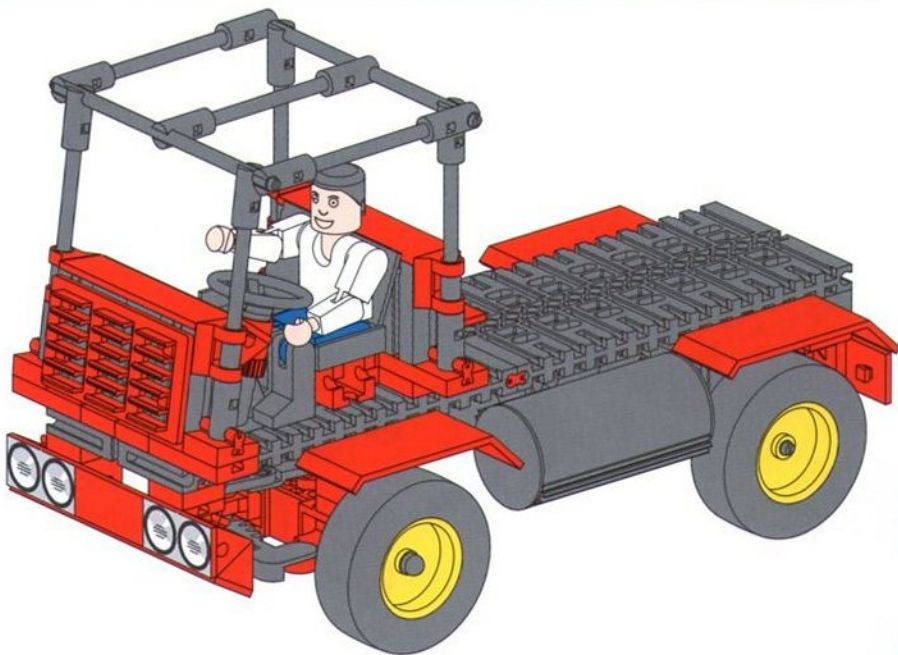


- 2**
- 1x (Grey Pin with Gear)
 - 1x (Grey Motor)
 - 1x (Grey Motor)



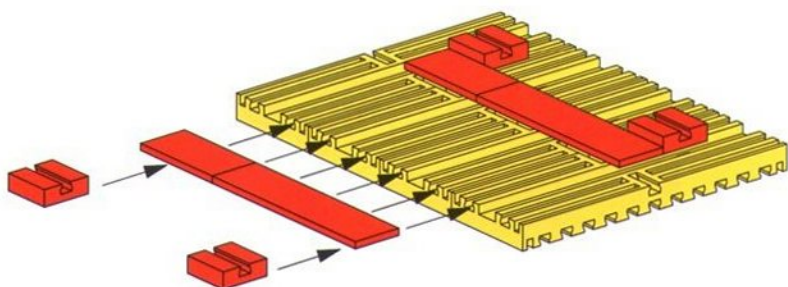
LKW mit Ladekran
Truck with lifting crane
Camion avec grue de
chargement

Vrachtwagen met laad-
en loskraan
Camión con grúa de carga
Autocarro con gru

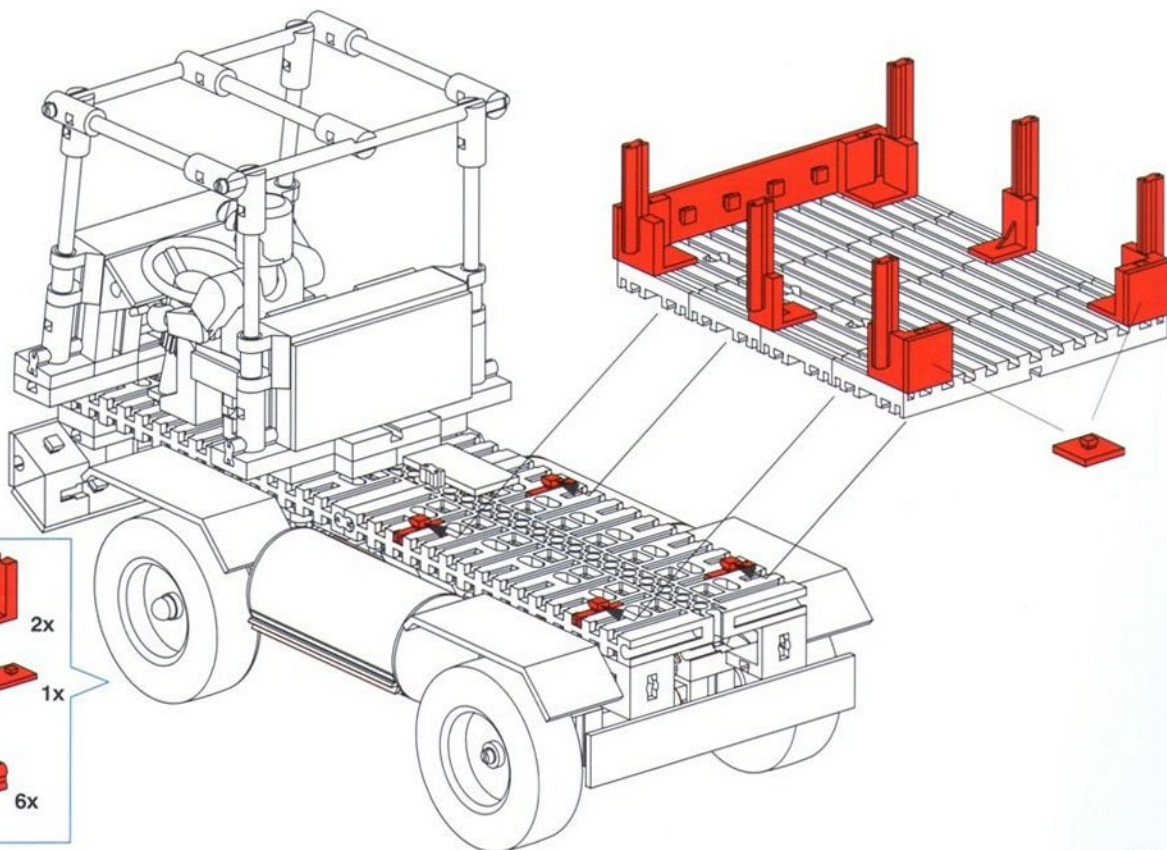
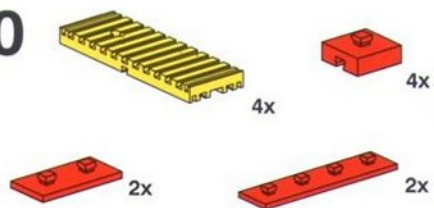


1-9

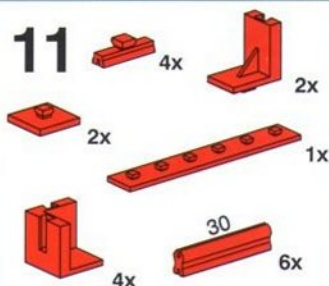
Seite 16 - 19
Page 16 - 19
Page 16 - 19
Bladzijde 16 - 19
Página 16 - 19
Pagina 16 - 19



10

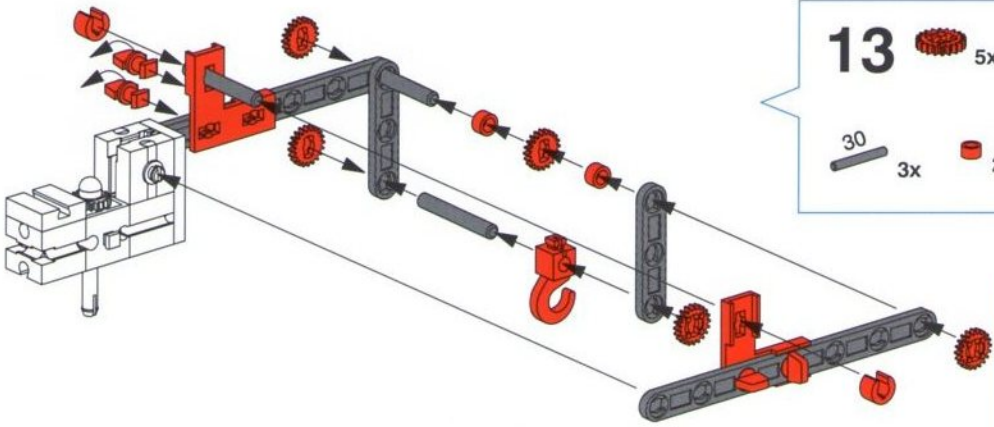
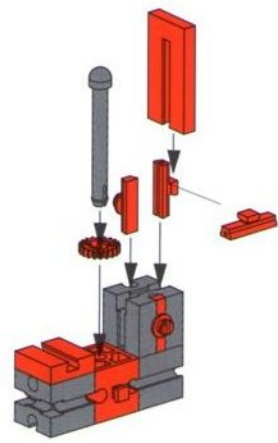


11



12

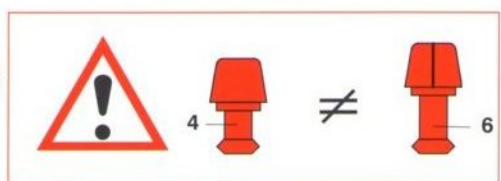
- 1x (Grey Technic Pin)
- 2x (Grey Technic Pin)
- 1x (Red Technic Beam 1x3)
- 1x (Red Technic Pin)
- 1x (Red Technic Pin)
- 1x (Red Technic Pin)
- 2x (Red Technic Pin)
- 1x (Red Technic Gear 24)



13

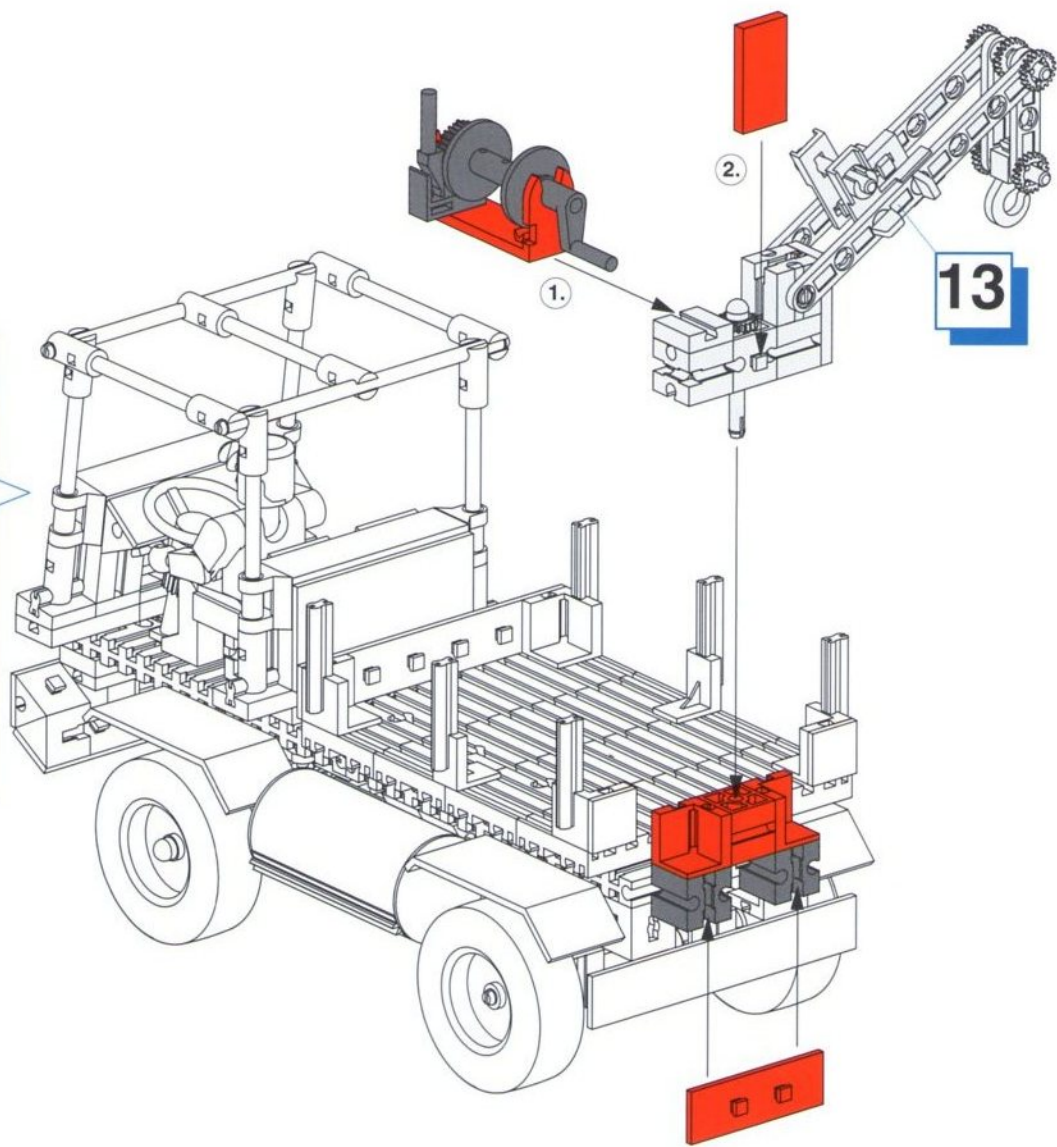
- 5x (Red Technic Gear 24)
- 2x (Grey Technic Pin 90)
- 2x (Grey Technic Pin 30)
- 2x (Red Technic Pin)
- 3x (Grey Technic Pin 30)
- 2x (Red Technic Pin)
- 2x (Red Technic Pin)
- 4x (Red Technic Pin)
- 1x (Red Technic Pin)

30



14

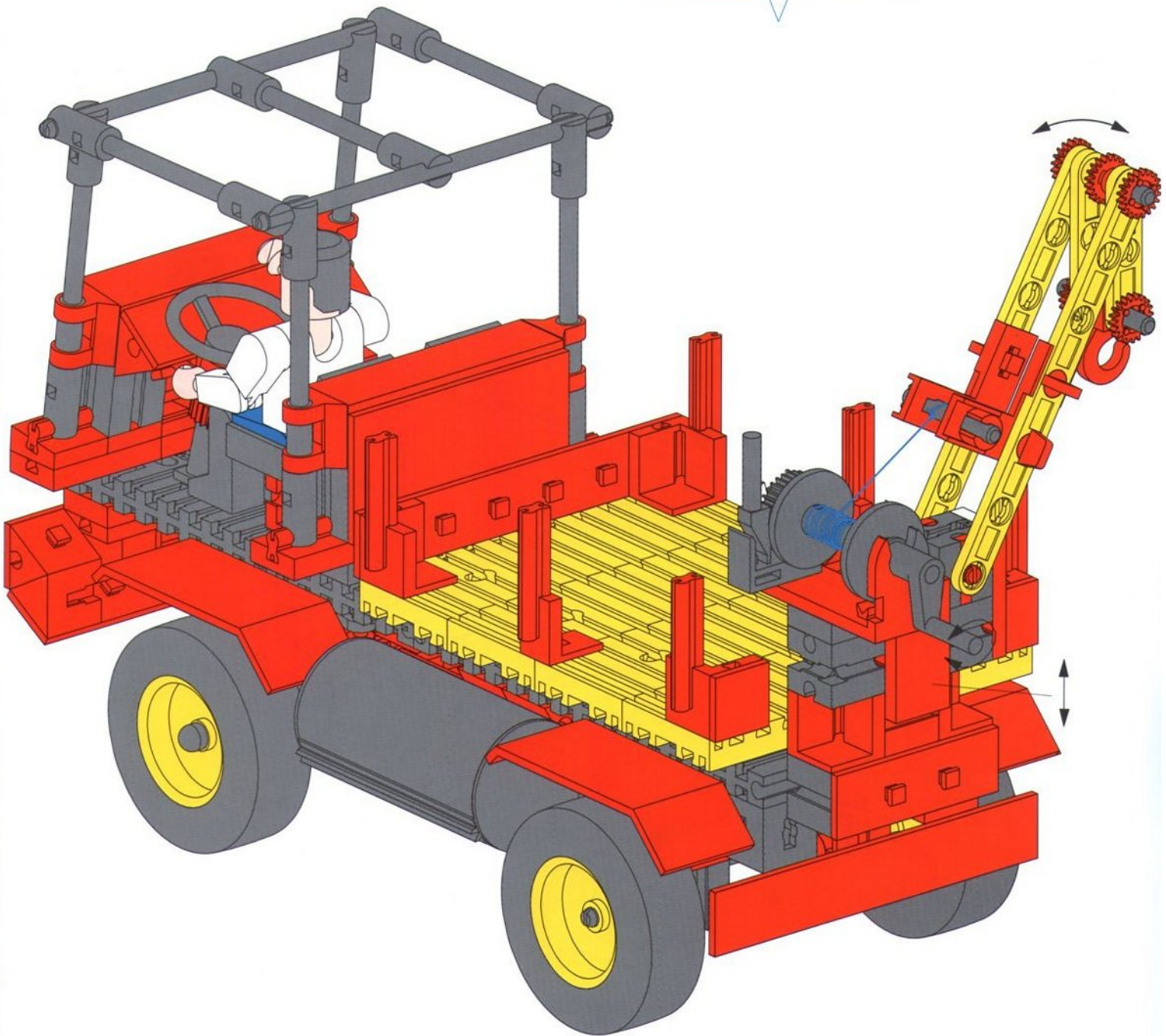
- 2x (Grey Technic Pin)
- 1x (Red Technic Pin)
- 1x (Red Technic Pin)
- 2x (Red Technic Pin)
- 1x (Red Technic Pin)



15



1x

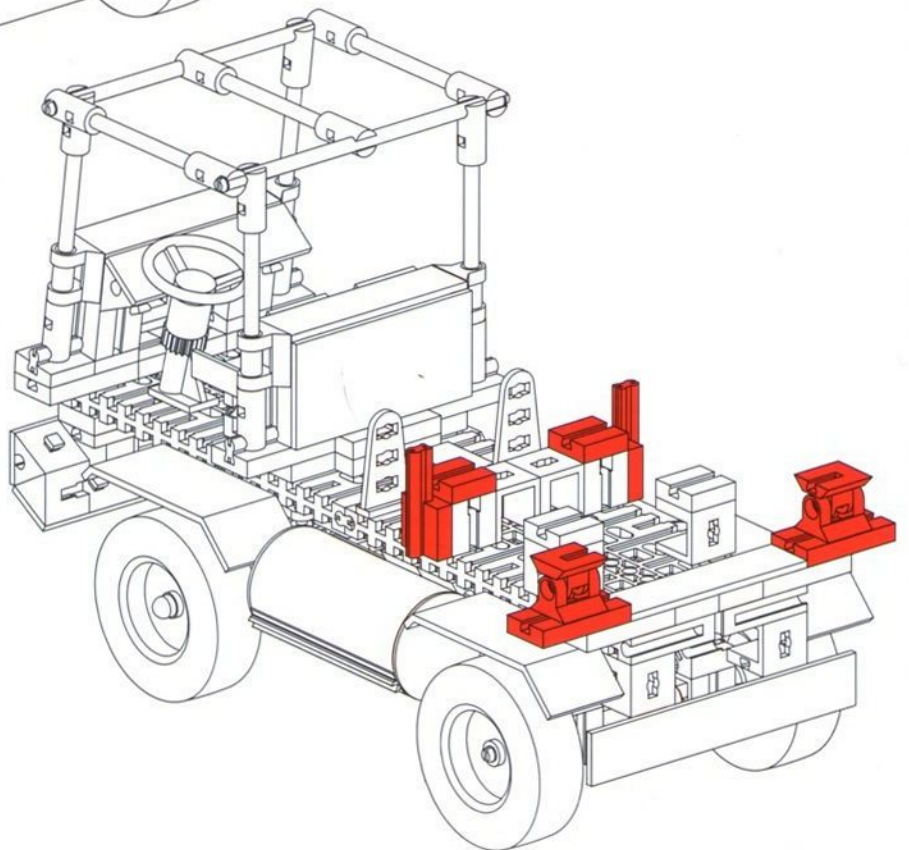
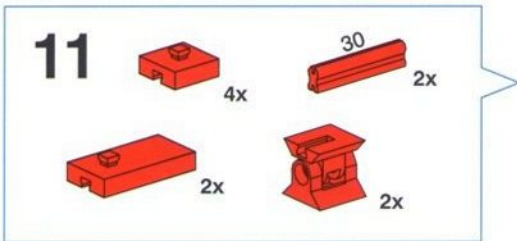
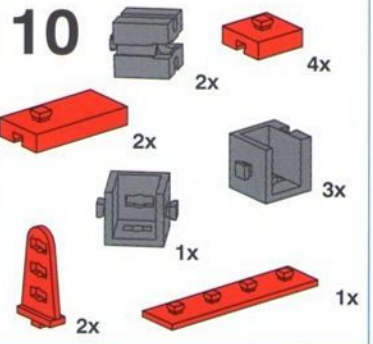
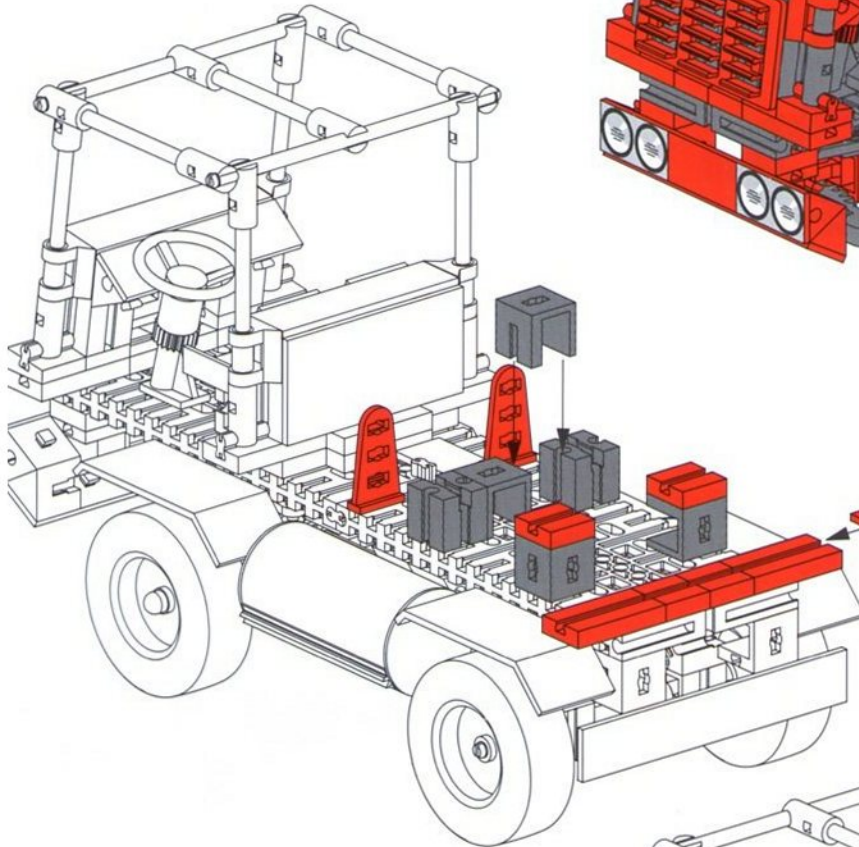
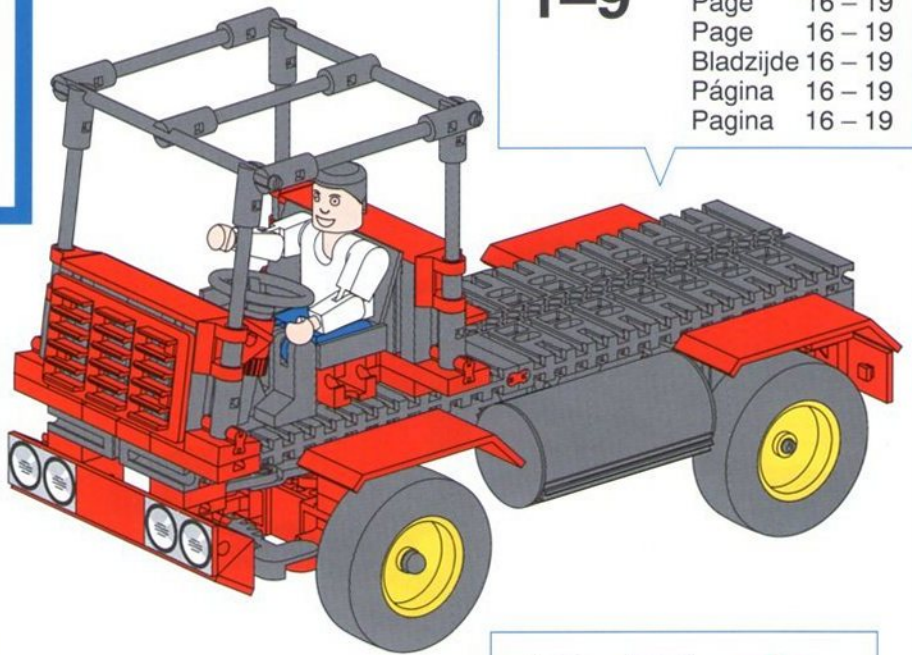


Container Truck

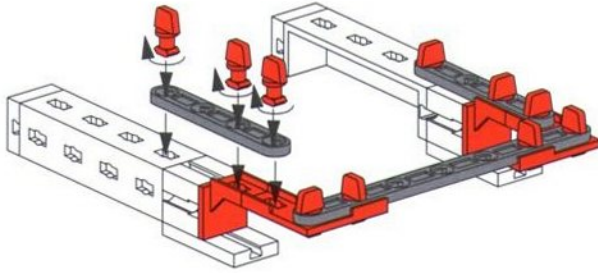
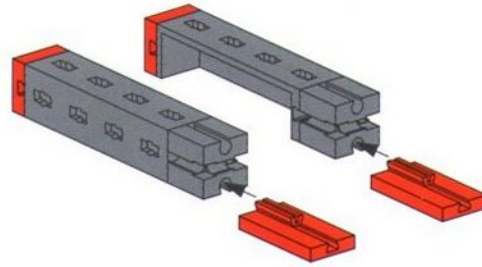
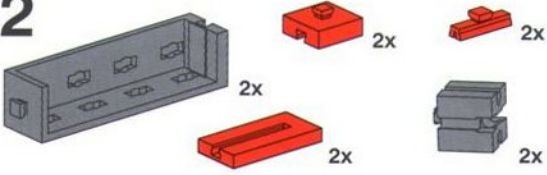


1-9

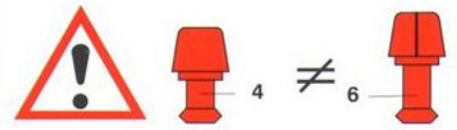
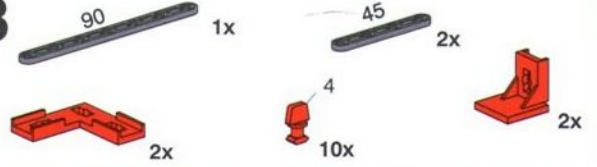
Seite 16-19
 Page 16-19
 Page 16-19
 Bladzijde 16-19
 Página 16-19
 Pagina 16-19



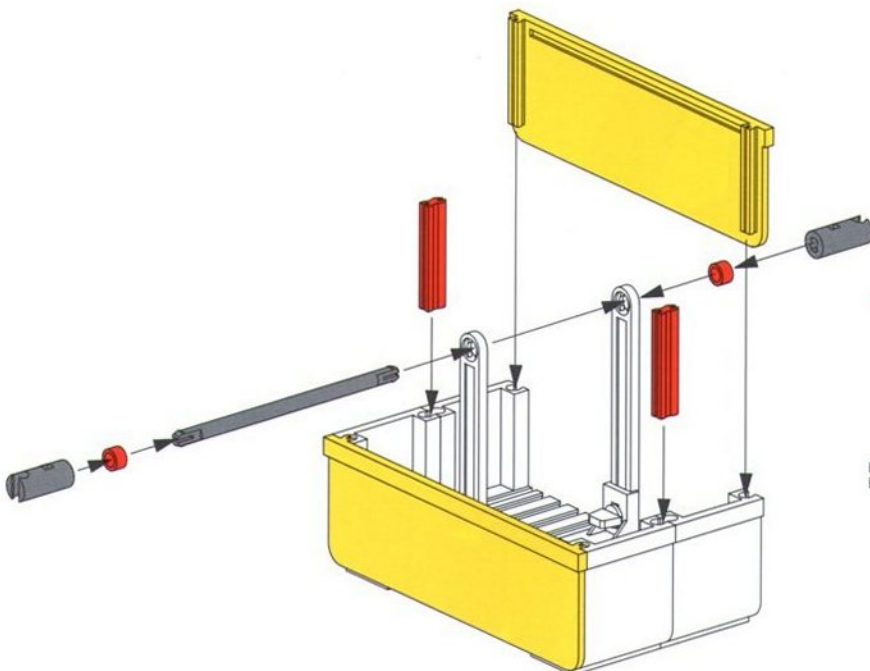
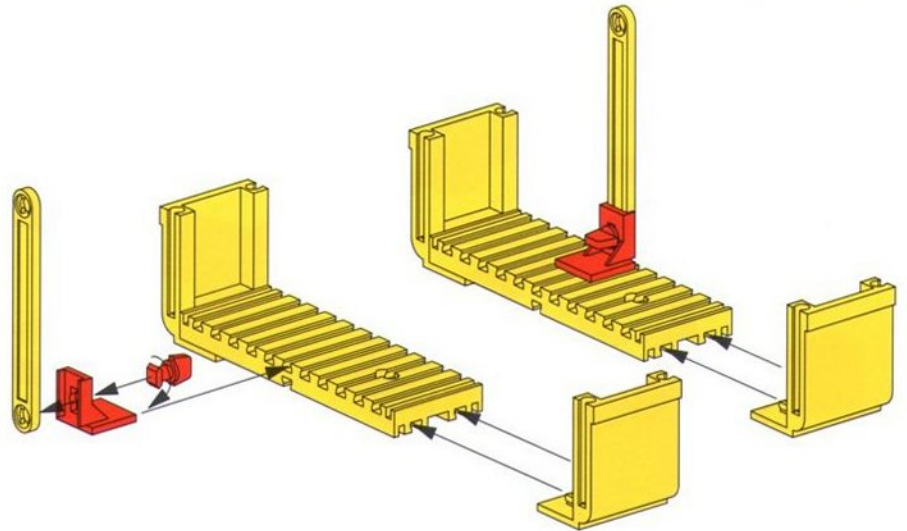
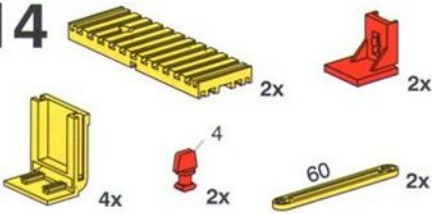
12



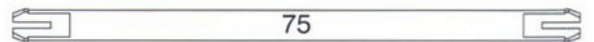
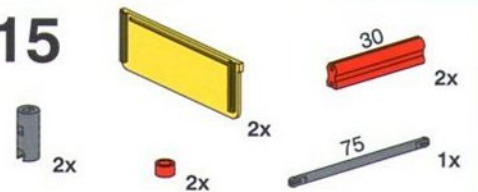
13



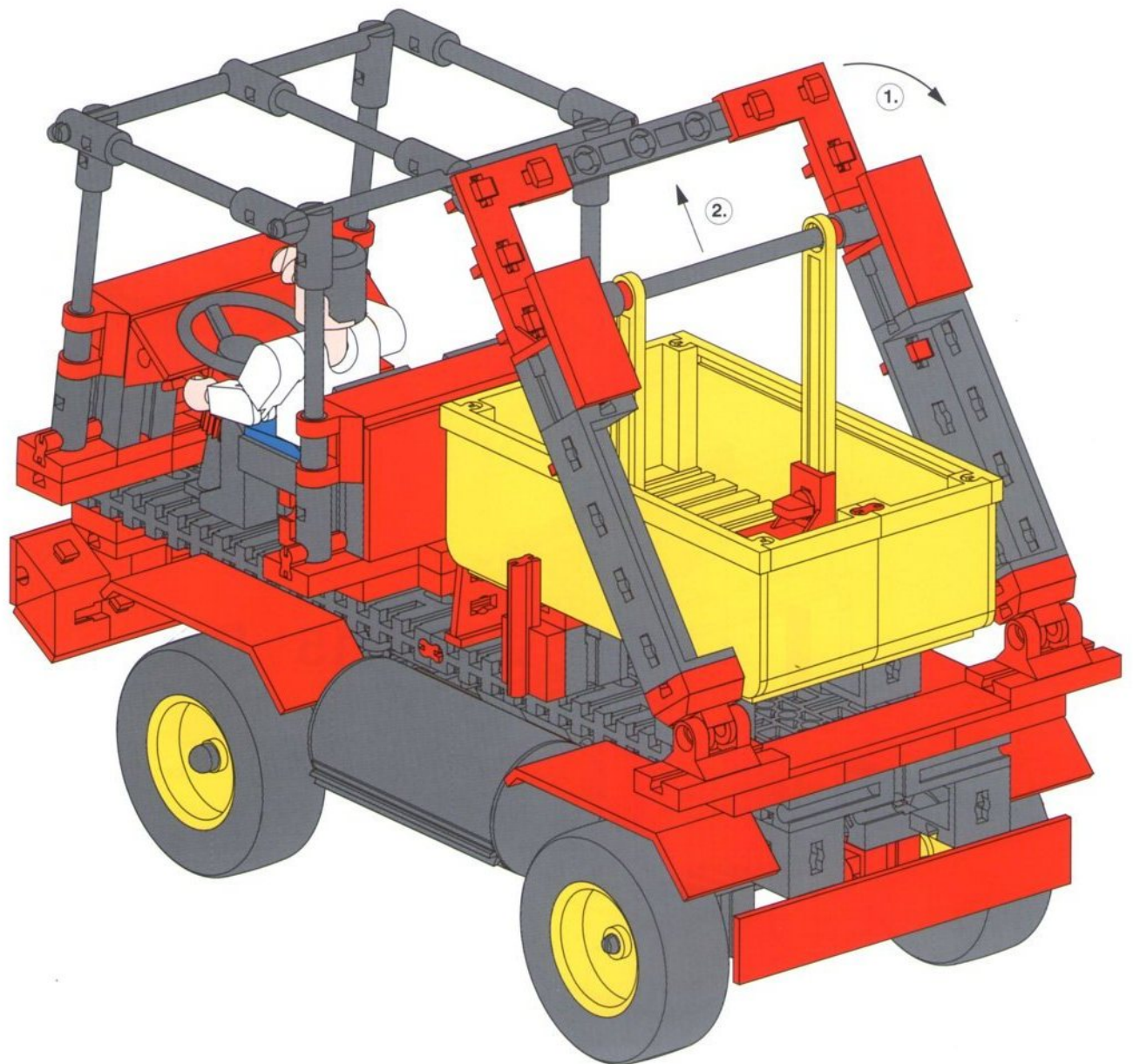
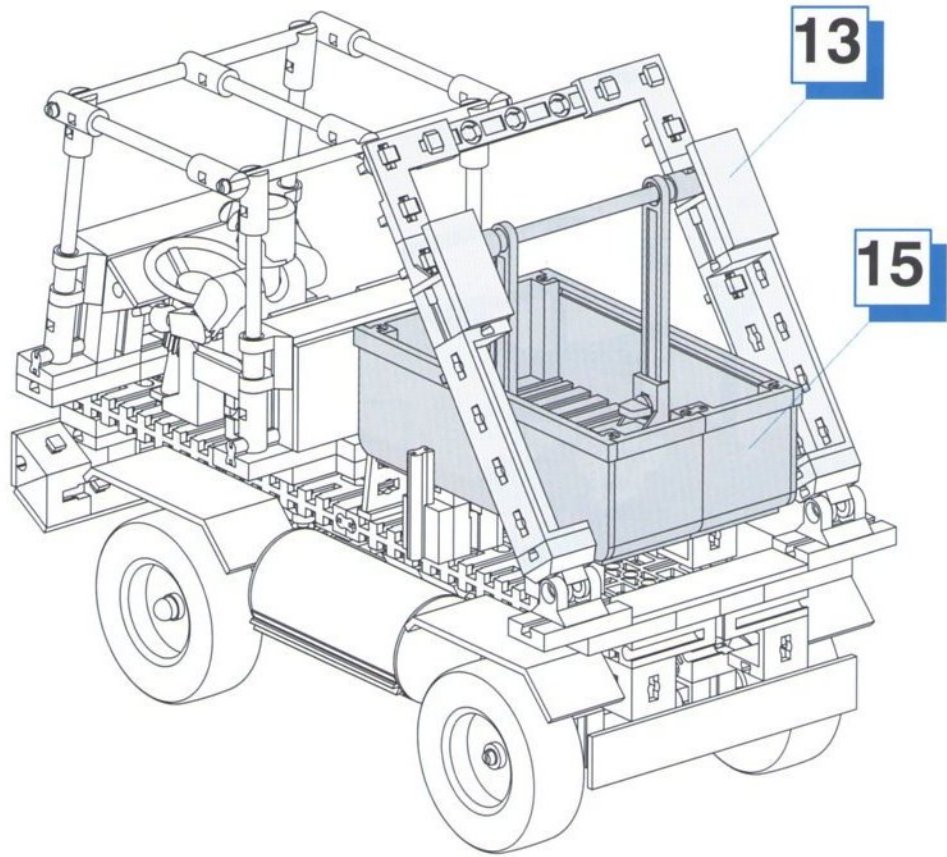
14

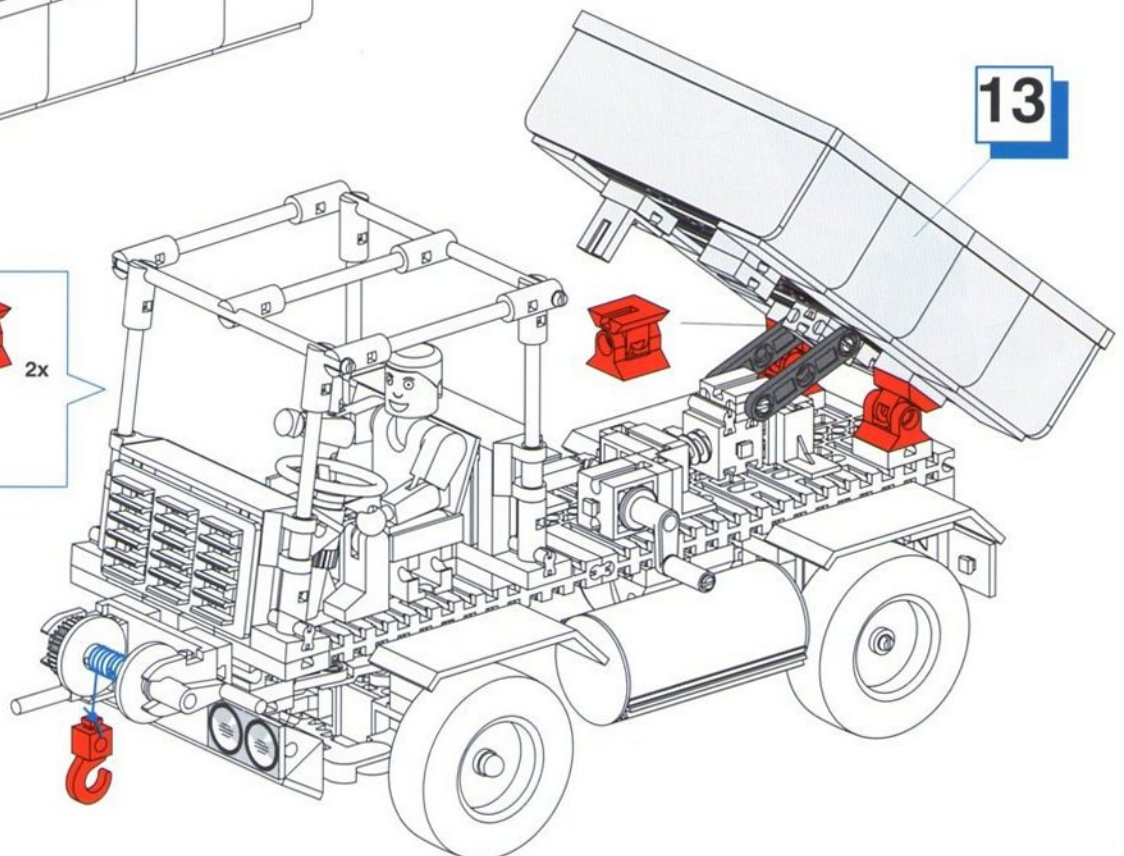
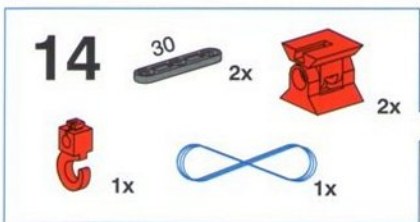
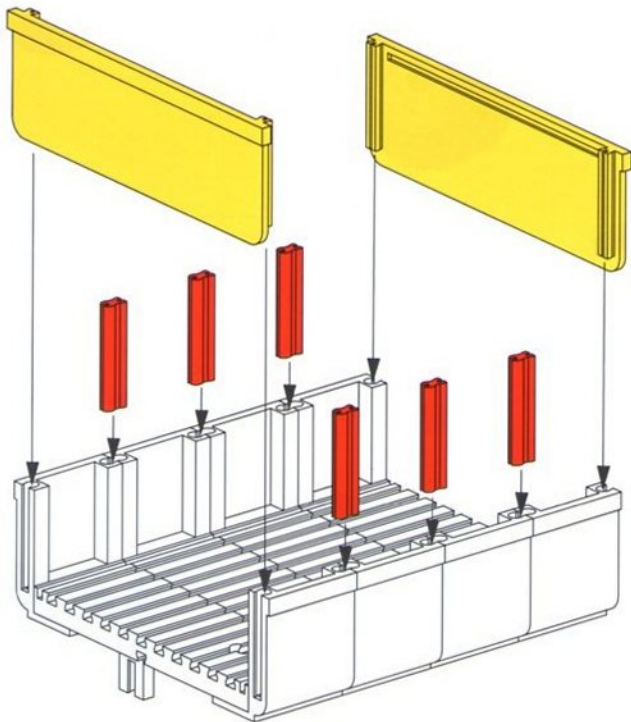
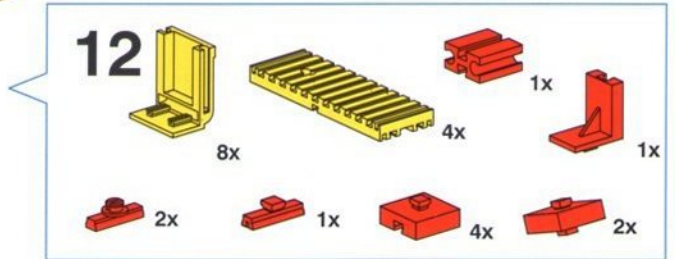
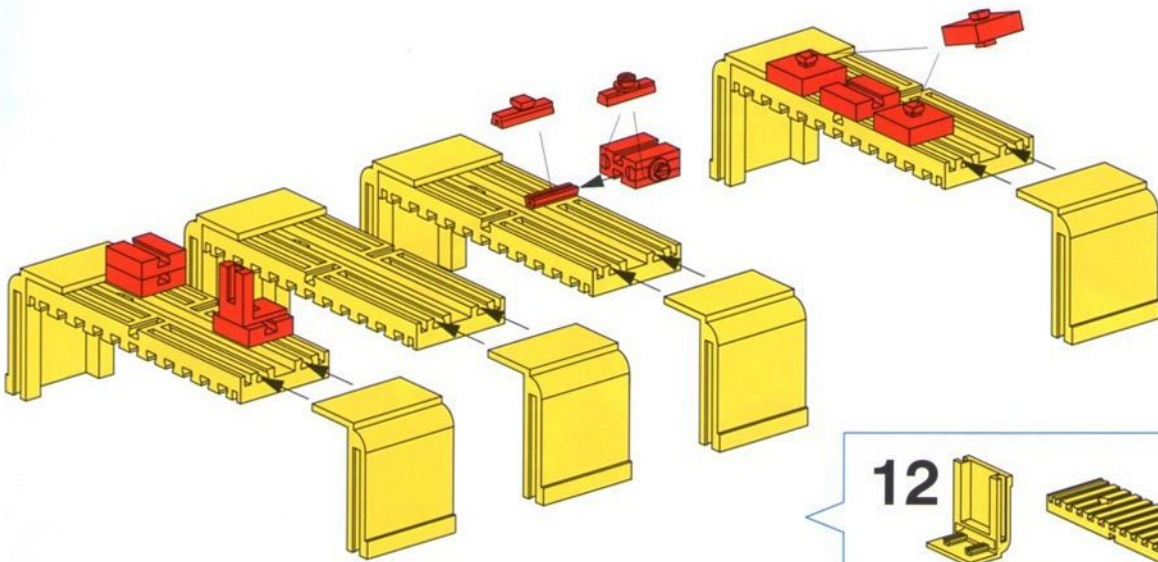


15



16





13

